

# Herald Flue Assemblies and Ancillaries

**For use with Models:**

HCB46 CE  
HCB61 CE  
HCB86 CE  
HCB116 CE  
HCB146 CE  
HCB176 CE  
HCB206 CE  
HCB236 CE



# Contents

	Page No.
Horizontal Concentric flue assembly HCB46CE-HCB61CE	3
Horizontal Concentric flue assembly HCB86CE-HCB116CE	4
Horizontal Concentric flue assembly HCB146CE-HCB176CE	5
Horizontal Concentric flue assembly HCB203CE-HCB236CE	6
Vertical Concentric flue assembly HCB46CE-HCB61CE	7
Vertical Concentric flue assembly HCB86CE-HCB116CE	8
Vertical Concentric flue assembly HCB146CE-HCB176CE	9
Vertical Concentric flue assembly HCB206CE-HCB236CE	10
Conventional flue system HCB46CE-HCB61CE	11
Conventional flue system HCB86CE-HCB116CE	12
Conventional flue system HCB146CE-HCB176CE	13
Conventional flue system HCB206CE-HCB236CE	14
Twin-Pipe flue system HCB46CE-HCB61CE	15
Twin-Pipe flue system HCB86CE-HCB116CE	16
Twin-Pipe flue system HCB146CE-HCB236CE	17

# Item No HBHF001

## CONCENTRIC HORIZONTAL FLUE ASSEMBLY

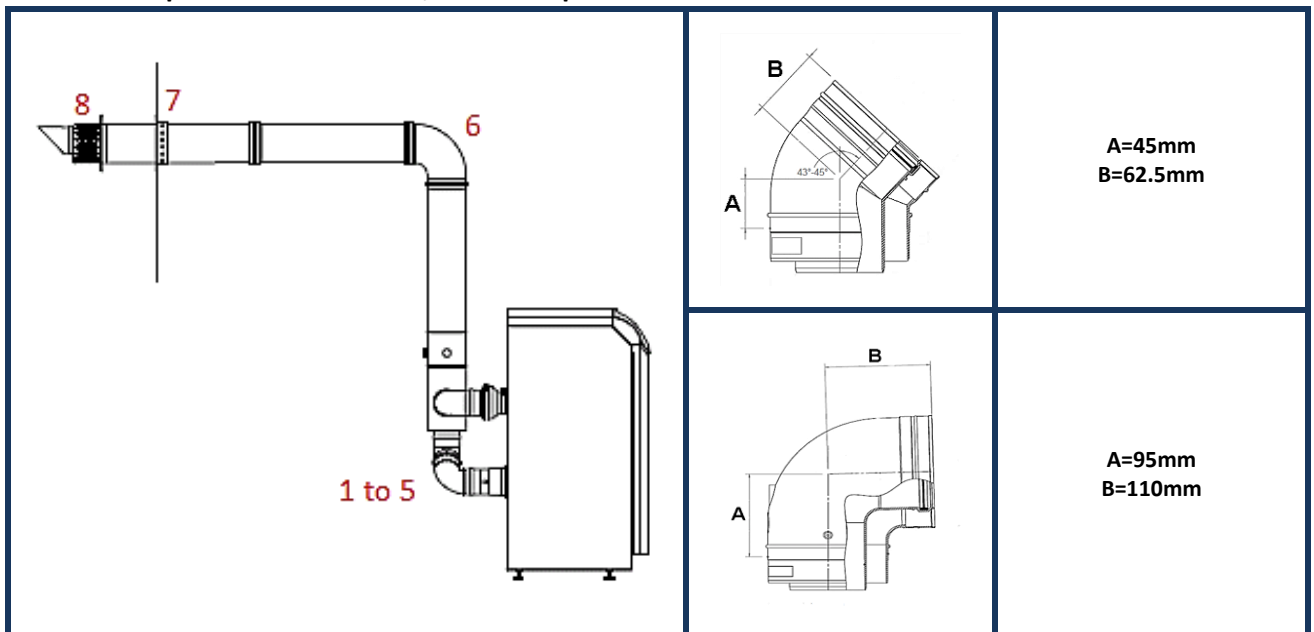
### MODELS HCB46CE, HCB61CE

#### COMPONENTS INCLUDED

Item No.	Description	Number	Quantity
M85291B	BEND 90° 80mm PP	1	3
M84471B	SAMPLING POINT Ø80/125mm PP	2	1
M75258B	CONCENTRIC ADAPTER TEE Ø80/80mm - Ø80/125mm PP	3	1
M75256B	AIR INLET TRANSITION Ø80mm ALU	4	1
M85271B	EXTENSION Ø80mm (500mm) PP CUT TO LENGTH	5	1
M84460B	CONCENTRIC BEND 90° Ø80/125mm PP	6	1
M86934B	CONCENTRIC HORIZONTAL TERMINAL Ø80/125mm PP (NO WALL PLATES)	7	1
M28925B	TERMINAL WALL PLATES (PAIR)	8	1

**Maximum equivalent flue length =30 Metres**

**Reduction per 90 bend =1Metre, reduction per 45 bend 0.5Metre**



#### Additional Flue Ancillary Items

Item No.	Description	Dimensions
LV310740B	CONCENTRIC EXTENSION Ø80/125mm PP FIXED	250mm
LV310741B	CONCENTRIC EXTENSION Ø80/125mm PP FIXED	500mm
M84452B	CONCENTRIC EXTENSION Ø80/125mm PP FIXED	1000mm
LV310743B	CONCENTRIC EXTENSION Ø80/125mm PP FIXED	2000mm
LV310744B	CONCENTRIC EXTENSION Ø80/125mm PP TELESCOPIC	280 to 395mm
M84455B	CONCENTRIC EXTENSION Ø80/125mm PP CUT TO LENGTH	100 to 450mm
M84461B	CONCENTRIC BEND 45° Ø80/125mm PP	See drawing above
M84460B	CONCENTRIC BEND 90° Ø80/125mm PP	See drawing above
M87195B	WALL CLAMP Ø130	n/a

For further information, see Installation manual available at [www.lochinvar.ltd.uk](http://www.lochinvar.ltd.uk)

## Item No HBHF002

# CONCENTRIC HORIZONTAL FLUE ASSEMBLY

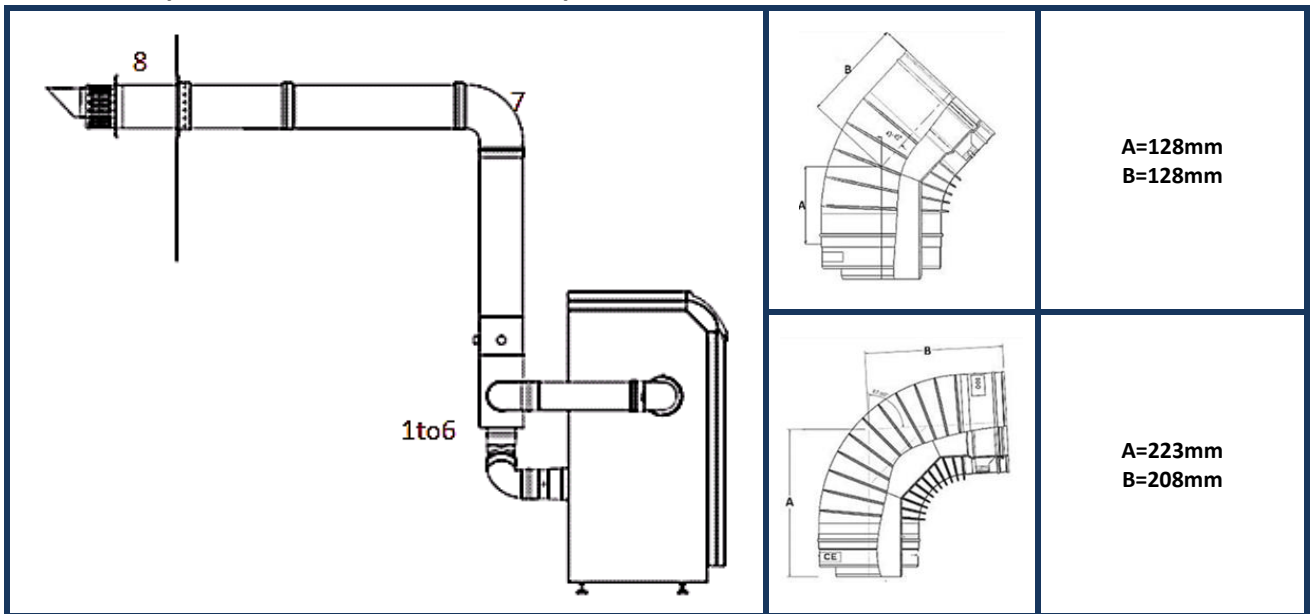
## MODELS HCB86CE, HCB116CE

### COMPONENTS INCLUDED

Item No.	Description	Number	Quantity
M85181B	BEND 90° 100mm PP	1	3
M85182B	BEND 45° 100mm PP	2	1
M84421B	SAMPLING POINT Ø100/150mm PP	3	1
M75259B	CONCENTRIC ADAPTER TEE Ø100/100mm Ø100/150mm PP	4	1
M75257B	AIR INLET TRANSITION Ø100mm ALU	5	1
M85176B	EXTENSION Ø100mm (500mm) PP CUT TO LENGTH	6	3
M84412B	CONCENTRIC BEND 90° Ø100/150mm PP	7	1
LV310758 B	CONCENTRIC HORIZONTAL TERMINAL Ø100/150mm PP	8	1

**Maximum equivalent flue length =30 Metres**

**Reduction per 90 bend =1Metre, reduction per 45 bend 0.5Metre**



### Additional Flue Ancillary Items

Item No.	Description	Dimensions
M84412B	CONCENTRIC BEND 90° Ø100/150mm PP	See drawing above
M84413B	CONCENTRIC BEND 45° Ø100/150mm PP	See drawing above
M84405B	CONCENTRIC EXTENSION Ø100/150 PP CUT TO LENGTH	500mm
M84402B	CONCENTRIC EXTENSION Ø100/150 PP FIXED	1000mm
M87196B	WALL CLAMP Ø150mm	n/a

For further information, see Installation manual available at [www.lochinvar.ltd.uk](http://www.lochinvar.ltd.uk)

# Item No HBHF003

## CONCENTRIC HORIZONTAL FLUE ASSEMBLY

Twin-pipe system with a concentric terminal

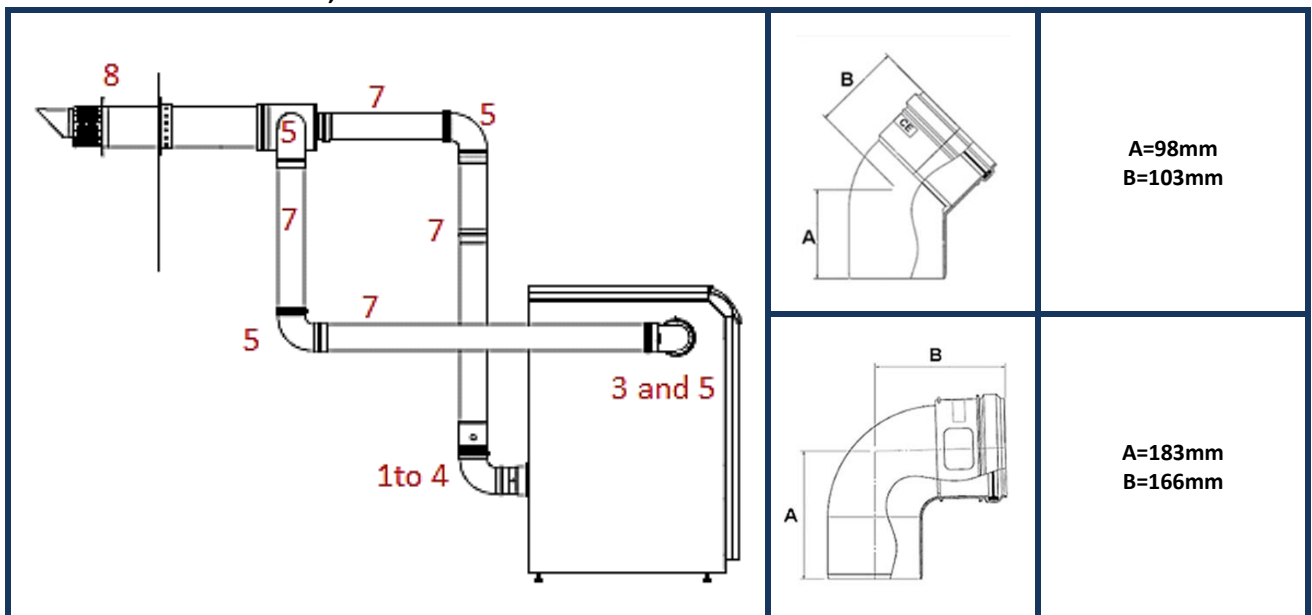
### MODELS HCB146CE, HCB176CE

#### COMPONENTS INCLUDED

Item No.	Description	Number	Quantity
M85126B	EXPANDER Ø100mm - Ø130mm PP	1	1
M70262B	EXPANDER Ø130mm - Ø150mm PP	2	1
M87039B	AIR INLET TRANSITION Ø150mm ALU	3	1
M85181B	BEND 90° 100mm PP	4	1
LV310665B	BEND 90° Ø150mm PP	5	4
M70326B	SAMPLING POINT Ø150mm PP	6	1
LV310694B	EXTENSION Ø150mm(1000mm) PP CUT TO LENGTH	7	4
M76561B	HORIZONTAL TERMINAL Ø150/220mm ALU	8	1

Maximum equivalent flue length =30 Metres

Each 90° bend -1.5Metres, each 45° bend -1Metre



#### Additional Flue Ancillary Items

Item No.	Description	Dimensions
LV310695B	EXTENSION Ø150mm(2000mm) PP CUT TO LENGTH	2000mm
LV310694B	EXTENSION Ø150mm(1000mm) PP CUT TO LENGTH	1000mm
LV310664B	BEND 45° Ø150mm PP	See drawing above
LV310665B	BEND 90° Ø150mm PP	See drawing above
M87196B	WALL CLAMP Ø150mm	n/a

For further information, see Installation manual available at [www.lochinvar.ltd.uk](http://www.lochinvar.ltd.uk)

# Item No HBHF004

## CONCENTRIC HORIZONTAL FLUE ASSEMBLY

Twin-pipe system with a concentric terminal

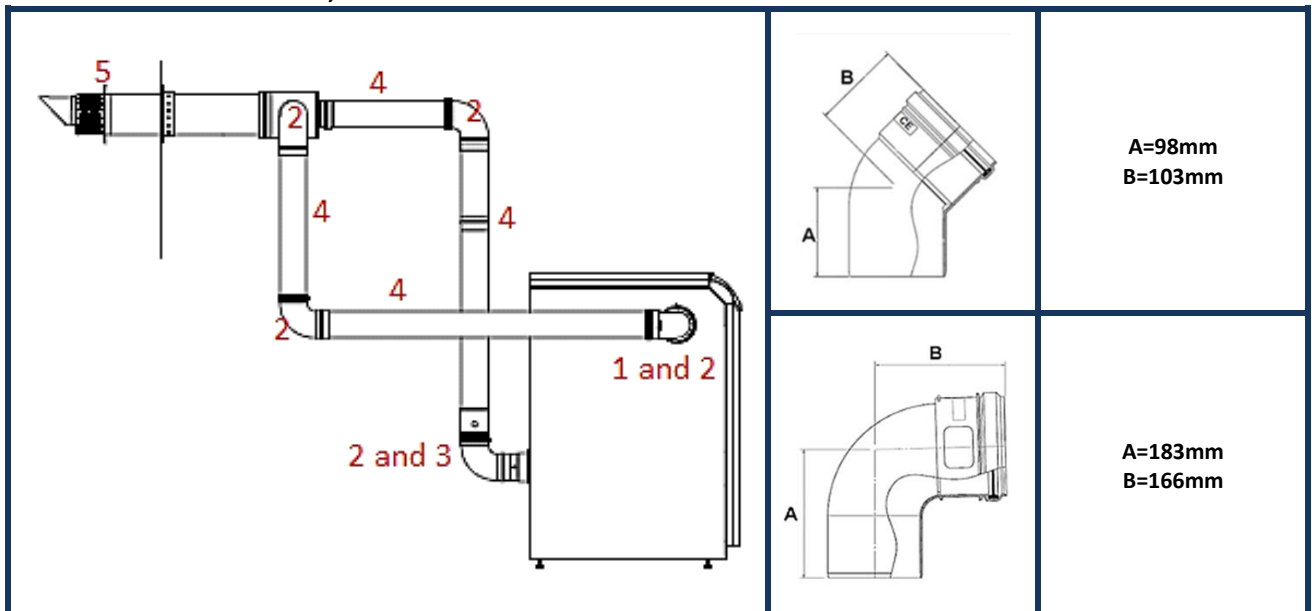
### MODELS HCB206CE, HCB236CE

#### COMPONENTS INCLUDED

Item No.	Description	Number	Quantity
M87039B	AIR INLET TRANSITION Ø150mm ALU	1	1
LV310665B	BEND 90° Ø150mm PP	2	5
M70326B	SAMPLING POINT Ø150mm PP	3	1
LV310694B	EXTENSION Ø150mm(1000mm) PP CUT TO LENGTH	4	4
M76561B	HORIZONTAL TERMINAL Ø150/220mm ALU	5	1

**Maximum equivalent flue length =30 Metres**

**Each 90° bend -1.5Metres, each 45° bend -1Metre**



#### Additional Flue Ancillary Items

Item No.	Description	Dimensions
LV310695B	EXTENSION Ø150mm(2000mm) PP CUT TO LENGTH	2000mm
LV310694B	EXTENSION Ø150mm(1000mm) PP CUT TO LENGTH	1000mm
LV310664B	BEND 45° Ø150mm PP	See drawing above
LV310665B	BEND 90° Ø150mm PP	See drawing above
M87196B	WALL CLAMP Ø150mm	n/a

For further information, see Installation manual available at [www.lochinvar.ltd.uk](http://www.lochinvar.ltd.uk)

# Item No HBVF001

## CONCENTRIC VERTICAL FLUE ASSEMBLY

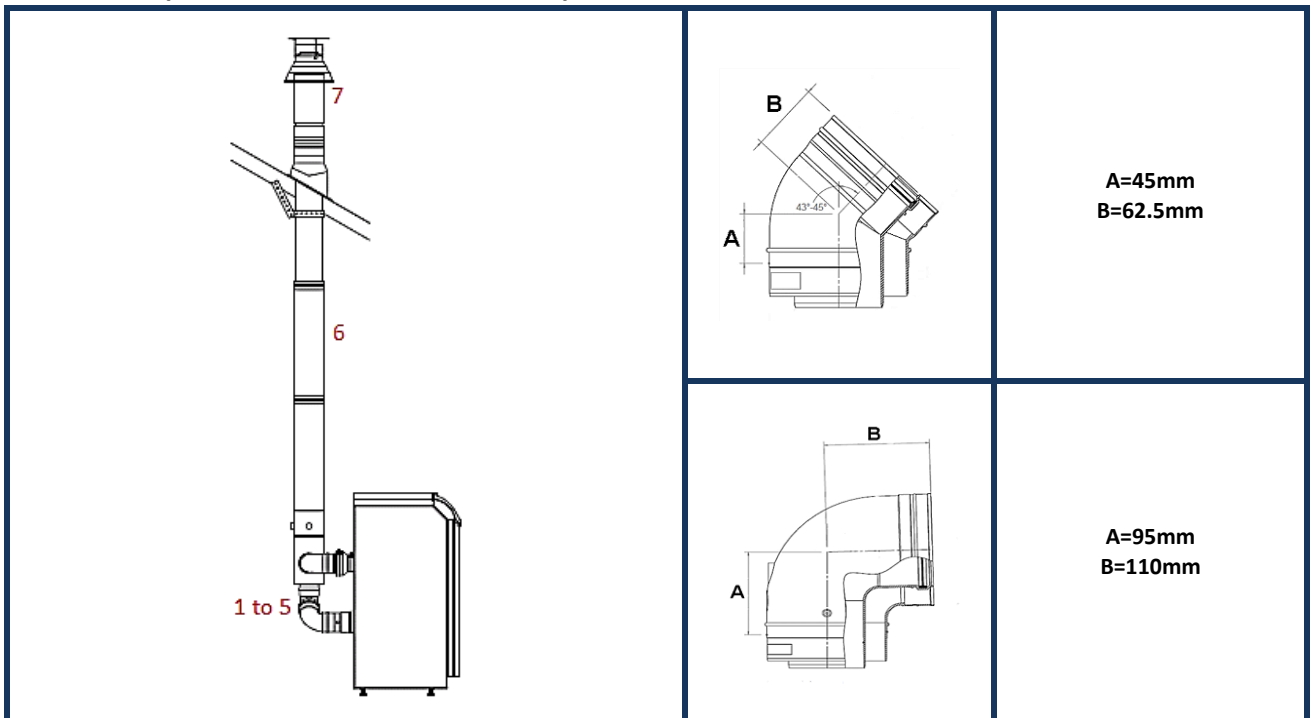
### MODELS HCB46CE, HCB61CE

#### COMPONENTS INCLUDED

Item No.	Description	Number	Quantity
M85291B	BEND 90° 80mm PP	1	3
M84471B	SAMPLING POINT Ø80/125mm PP	2	1
M75258B	CONCENTRIC ADAPTER TEE Ø80/80mm - Ø80/125mm PP	3	1
M75256B	AIR INLET TRANSITION Ø80mm ALU	4	1
M85271B	EXTENSION Ø80mm (500mm) PP CUT TO LENGTH	5	1
LV310744B	CONCENTRIC EXTENSION Ø80/125mm(280-395mm) PP TELESCOPIC	6	1
M86864B	CONCENTRIC VERTICAL TERMINAL Ø80/125mm PP	7	1

**Maximum equivalent flue length =30 Metres**

**Reduction per 90 bend =1Metre, reduction per 45 bend 0.5Metre**



#### Additional Flue Ancillary Items

Item No.	Description	Dimensions
LV310740B	CONCENTRIC EXTENSION Ø80/125mm PP FIXED	250mm
LV310741B	CONCENTRIC EXTENSION Ø80/125mm PP FIXED	500mm
M84452B	CONCENTRIC EXTENSION Ø80/125mm PP FIXED	1000mm
LV310743B	CONCENTRIC EXTENSION Ø80/125mm PP FIXED	2000mm
LV310744B	CONCENTRIC EXTENSION Ø80/125mm PP TELESCOPIC	280 to395mm
M84455B	CONCENTRIC EXTENSION Ø80/125mm PP CUT TO LENGTH	100 to 450mm
M84461B	CONCENTRIC BEND 45° Ø80/125mm PP	See drawing above
M84460B	CONCENTRIC BEND 90° Ø80/125mm PP	See drawing above
M87195B	WALL CLAMP Ø130	n/a

For further information, see Installation manual available at [www.lochinvar.ltd.uk](http://www.lochinvar.ltd.uk)

# Item No HBVF002

## CONCENTRIC VERTICAL FLUE ASSEMBLY

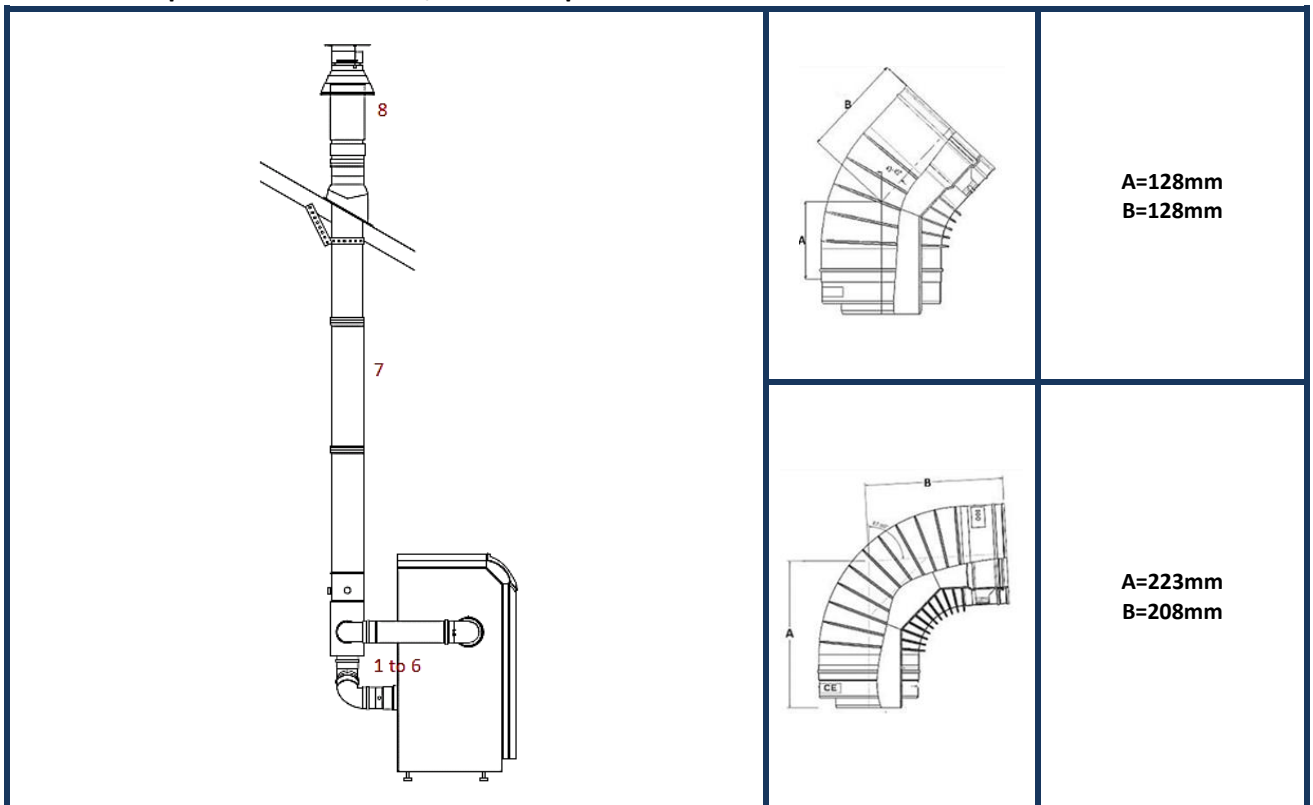
### MODELS HCB86CE, HCB116CE

#### COMPONENTS INCLUDED

Item No.	Description	Number	Quantity
M85181B	BEND 90° 100mm PP	1	3
M85182B	BEND 45° 100mm PP	2	1
M84421B	SAMPLING POINT Ø100/150mm PP	3	1
M75259B	CONCENTRIC ADAPTER TEE Ø100/100mm Ø100/150mm PP	4	1
M75257B	AIR INLET TRANSITION Ø100mm ALU	5	1
M85176B	EXTENSION Ø100mm (500mm) PP CUT TO LENGTH	6	3
	CHOOSE SUITABLE EXTENSIONS TO SUIT INSTALLATION	7	
LV310754B	CONCENTRIC VERTICAL TERMINAL Ø100/150mm PP	8	1

**Maximum equivalent flue length =30 Metres**

**Reduction per 90 bend =1Metre, reduction per 45 bend 0.5Metre**



#### Additional Flue Ancillary Items

Item No.	Description	Dimensions
M84405B	CONCENTRIC EXTENSION Ø100/150 PP CUT TO LENGTH	500mm
M84402B	CONCENTRIC EXTENSION Ø100/150 PP FIXED	1000mm
M84412B	CONCENTRIC BEND 90° Ø100/150mm PP	See drawing above
M84413B	CONCENTRIC BEND 45° Ø100/150mm PP	See drawing above
M87196B	WALL CLAMP Ø150mm	n/a

For further information, see Installation manual available at [www.lochinvar.ltd.uk](http://www.lochinvar.ltd.uk)



# Item No HBVF003

## CONCENTRIC VERTICAL FLUE ASSEMBLY

Twin-pipe system with a concentric terminal

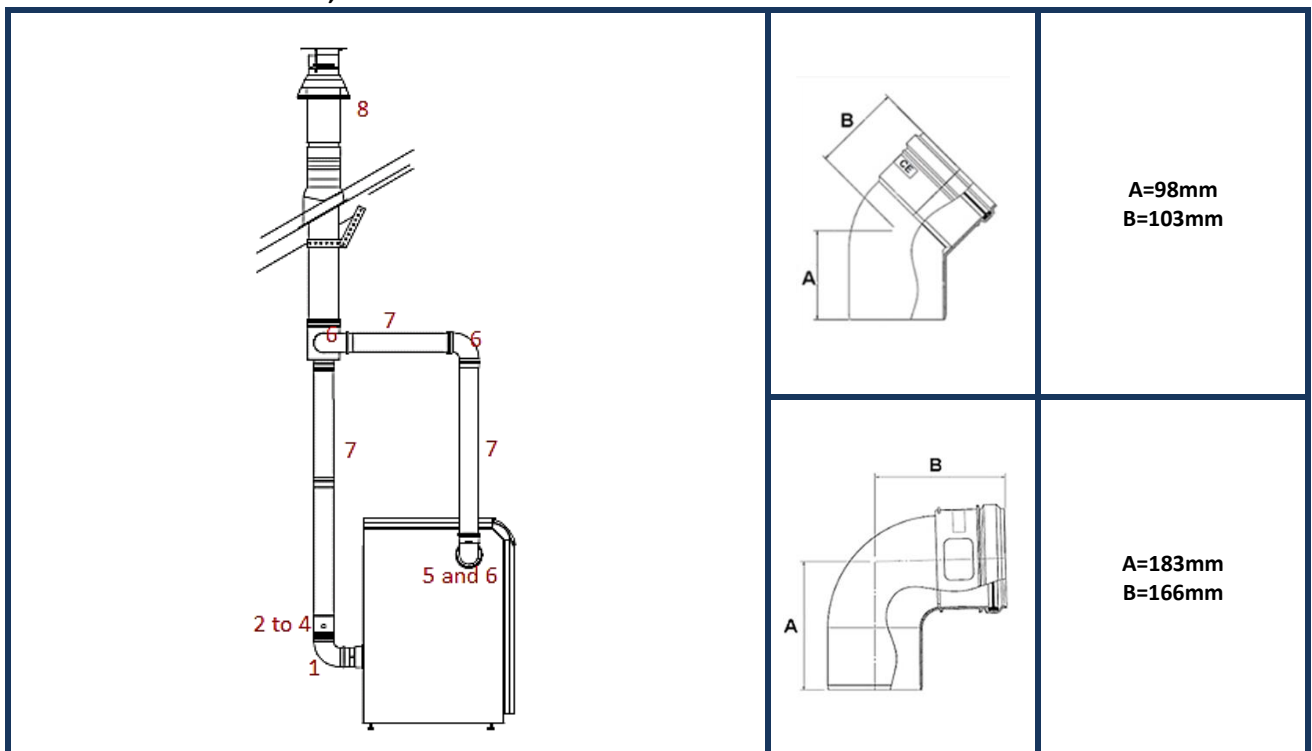
### MODELS HCB146CE, HCB176CE

#### COMPONENTS INCLUDED

Item No.	Description	Number	Quantity
M85181B	BEND 90° 100mm PP	1	1
M85126B	EXPANDER Ø100mm - Ø130mm PP	2	1
M70262B	EXPANDER Ø130mm - Ø150mm PP	3	1
M70326B	SAMPLING POINT Ø150mm PP	4	1
M87039B	AIR INLET TRANSITION Ø150mm ALU	5	1
LV310665B	BEND 90° Ø150mm PP	6	3
LV310694B	EXTENSION Ø150mm(1000mm) PP CUT TO LENGTH	7	4
M86929B	VERTICAL TERMINAL Ø150/220mm ALU	8	1

Maximum equivalent flue length =30 Metres

Each 90°bend -1.5Metres, each 45° bend -1Metre



#### Additional Flue Ancillary Items

Item No.	Description	Dimensions
LV310695B	EXTENSION Ø150mm PP CUT TO LENGTH	2000mm
LV310694B	EXTENSION Ø150mm PP CUT TO LENGTH	1000mm
LV310664B	BEND 45° Ø150mm PP	See drawing above
LV310665B	BEND 90° Ø150mm PP	See drawing above
M87196B	WALL CLAMP Ø150mm	n/a

For further information, see Installation manual available at [www.lochinvar.ltd.uk](http://www.lochinvar.ltd.uk)

Item No HBVF004

## CONCENTRIC VERTICAL FLUE ASSEMBLY

Twin-pipe system with a concentric terminal

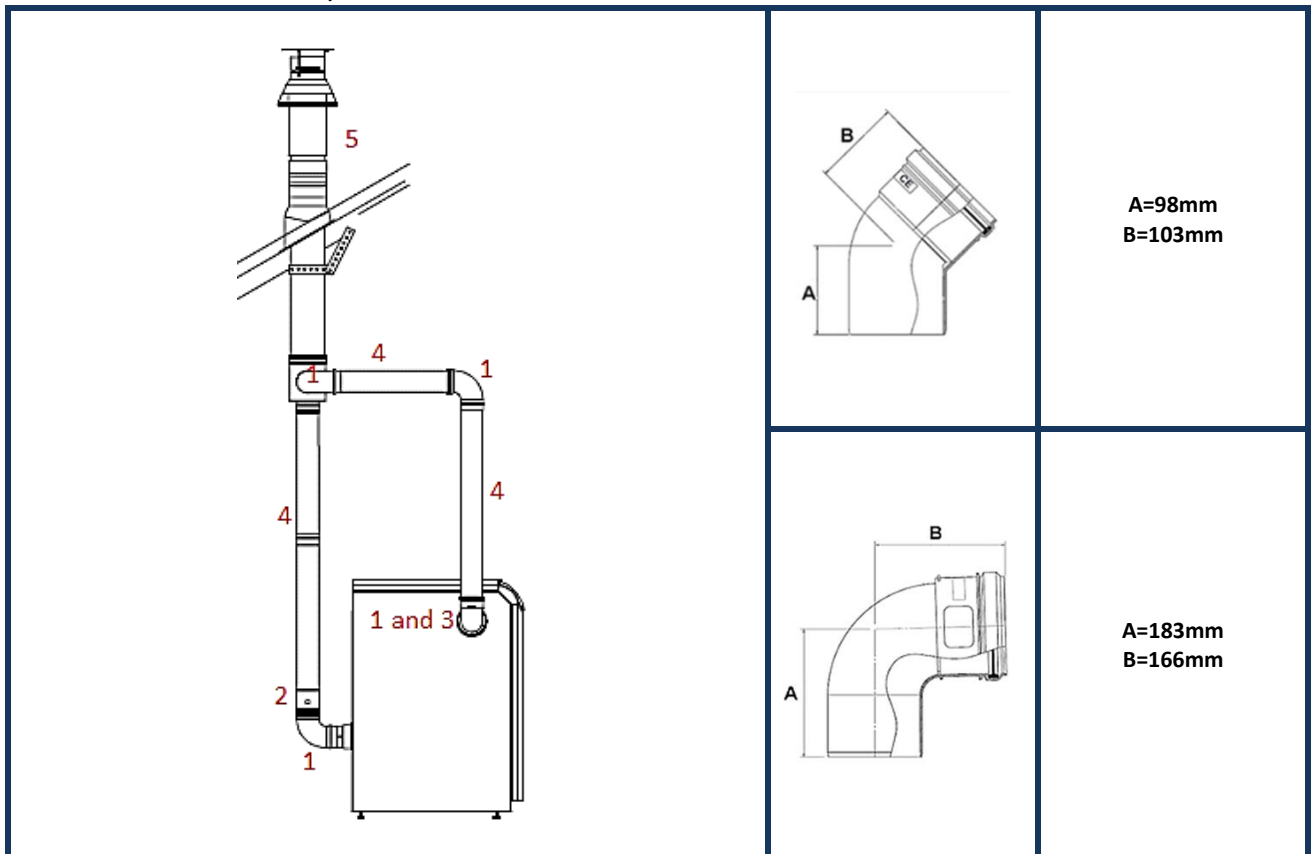
### MODELS HCB206CE, HCB236CE

#### COMPONENTS INCLUDED

Item No.	Description	Number	Quantity
LV310665B	BEND 90° Ø150mm PP	1	4
M70326B	SAMPLING POINT Ø150mm PP	2	1
M87039B	AIR INLET TRANSITION Ø150mm ALU	3	1
LV310694B	EXTENSION Ø150mm(1000mm) PP CUT TO LENGTH	4	4
M86929B	VERTICAL TERMINAL Ø150/220mm ALU	5	1

Maximum equivalent flue length =30 Metres

Each 90° bend -1.5Metres, each 45° bend -1Metre



#### Additional Flue Ancillary Items

Item No.	Description	Dimensions
LV310695B	EXTENSION Ø150mmPP CUT TO LENGTH	2000mm
LV310694B	EXTENSION Ø150mmPP CUT TO LENGTH	1000mm
LV310664B	BEND 45° Ø150mm PP	See drawing above
LV310665B	BEND 90° Ø150mm PP	See drawing above
M87196B	WALL CLAMP Ø150mm	n/a

For further information, see Installation manual available at [www.lochinvar.ltd.uk](http://www.lochinvar.ltd.uk)

# Item No HBCF001

## FAN ASSISTED OPEN FLUE STARTER ASSEMBLY

Kit contains components to start the connection to the appliance only

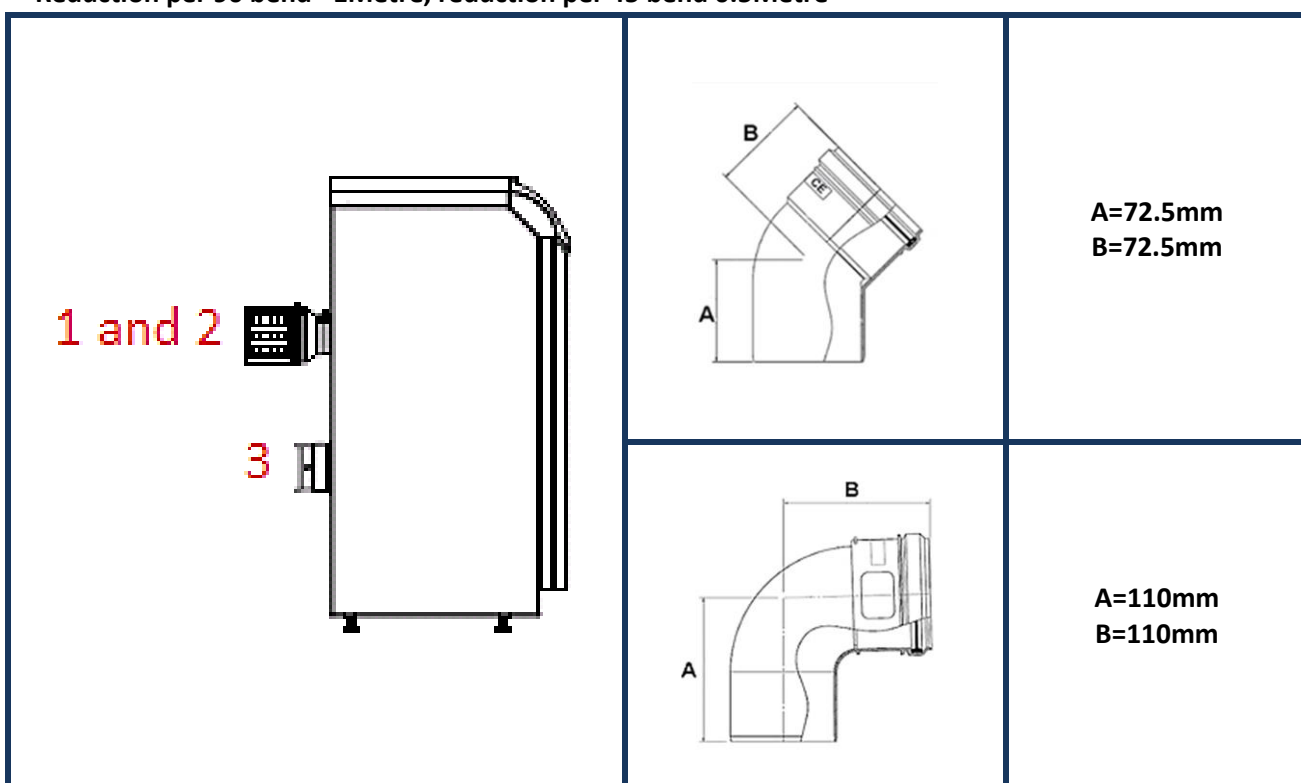
### MODELS HCB46CE,HCB61CE

#### COMPONENTS INCLUDED

Item No.	Description	Number	Quantity
M75256B	AIR INLET TRANSITION Ø80mm ALU	1	1
M73039B	AIR INLET GRILLE Ø80mm ALU	2	1
M85279B	SAMPLING POINT Ø80mm PP	3	1

Maximum equivalent flue length =60 Metres

Reduction per 90 bend =1Metre, reduction per 45 bend 0.5Metre



#### Additional Flue Ancillary Items

Item No.	Description	Dimensions
M86864B	CONCENTRIC VERTICAL TERMINAL Ø80/125mm PP	1354mm total
M86934B	CONCENTRIC HORIZONTAL TERMINAL Ø80/125mm PP (NO WALL PLATES)	765mm total
M28925B	TERMINAL WALL PLATES (PAIR)	n/a
LV310718B	EXTENSION - Ø80mm PP CUT TO LENGTH	250mm
M85271B	EXTENSION Ø80mm PP CUT TO LENGTH	500mm
M85272B	EXTENSION Ø80mm PP CUT TO LENGTH	1000mm
LV310721B	EXTENSION - Ø80mm PP CUT TO LENGTH	2000mm
LV310722B	EXTENSION - Ø80mm PP TELESCOPIC	240-360mm
M85292B	BEND 45° 80mm PP	See drawing above
M85291B	BEND 90° 80mm PP	See drawing above
M87191B	WALL CLAMP Ø80mm	n/a

For further information, see Installation manual available at [www.lochinvar.ltd.uk](http://www.lochinvar.ltd.uk)

## Item No HBCF002

# FAN ASSISTED OPEN FLUE STARTER ASSEMBLY

Kit contains components to start the connection to the appliance only

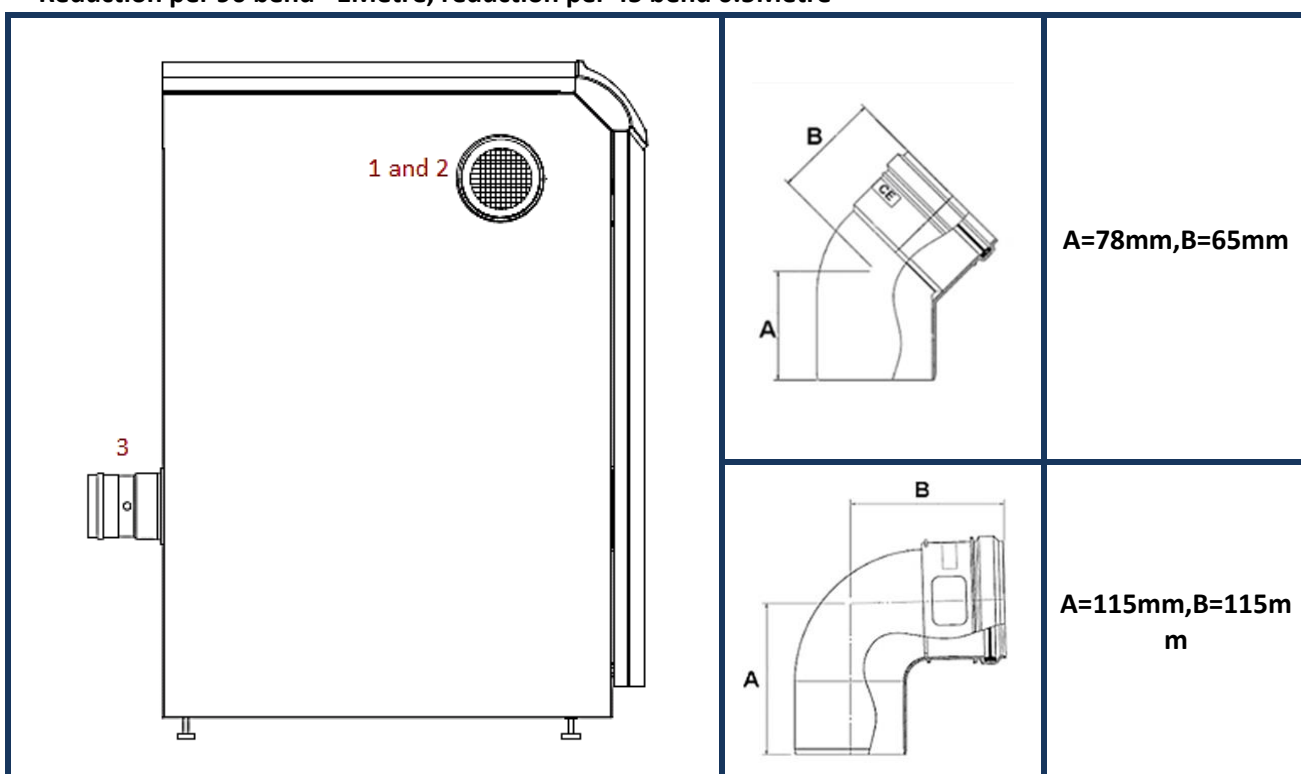
## MODELS HCB86CE,HCB116CE

### COMPONENTS INCLUDED

Item No.	Description	Number	Quantity
M75257B	AIR INLET TRANSITION Ø100mm ALU	1	1
M86787B	APPLIANCE AIR INLET GUARD Ø100mm	2	1
M85189B	SAMPLING POINT Ø100mm PP	3	1

**Maximum equivalent flue length =60 Metres**

**Reduction per 90 bend =1Metre, reduction per 45 bend 0.5Metre**



### Additional Flue Ancillary Items

Item No.	Description	Dimensions
LV310754B	CONCENTRIC VERTICAL TERMINAL Ø100/150mm PP	1735mm total
LV310758B	CONCENTRIC HORIZONTAL TERMINAL Ø100/150mm PP	600mm total
M85176B	EXTENSION Ø100mm PP CUT TO LENGTH	500mm
M85177B	EXTENSION Ø100mm PP CUT TO LENGTH	1000mm
M85181B	BEND 90° 100mm PP	See drawing above
M85182B	BEND 45° 100mm PP	See drawing above
M87193B	WALL CLAMP (100mm)	n/a

For further information, see Installation manual available at [www.lochinvar.ltd.uk](http://www.lochinvar.ltd.uk)

# Item No HBCF003

## FAN ASSISTED OPEN FLUE STARTER ASSEMBLY

Kit contains components to start the connection to the appliance only

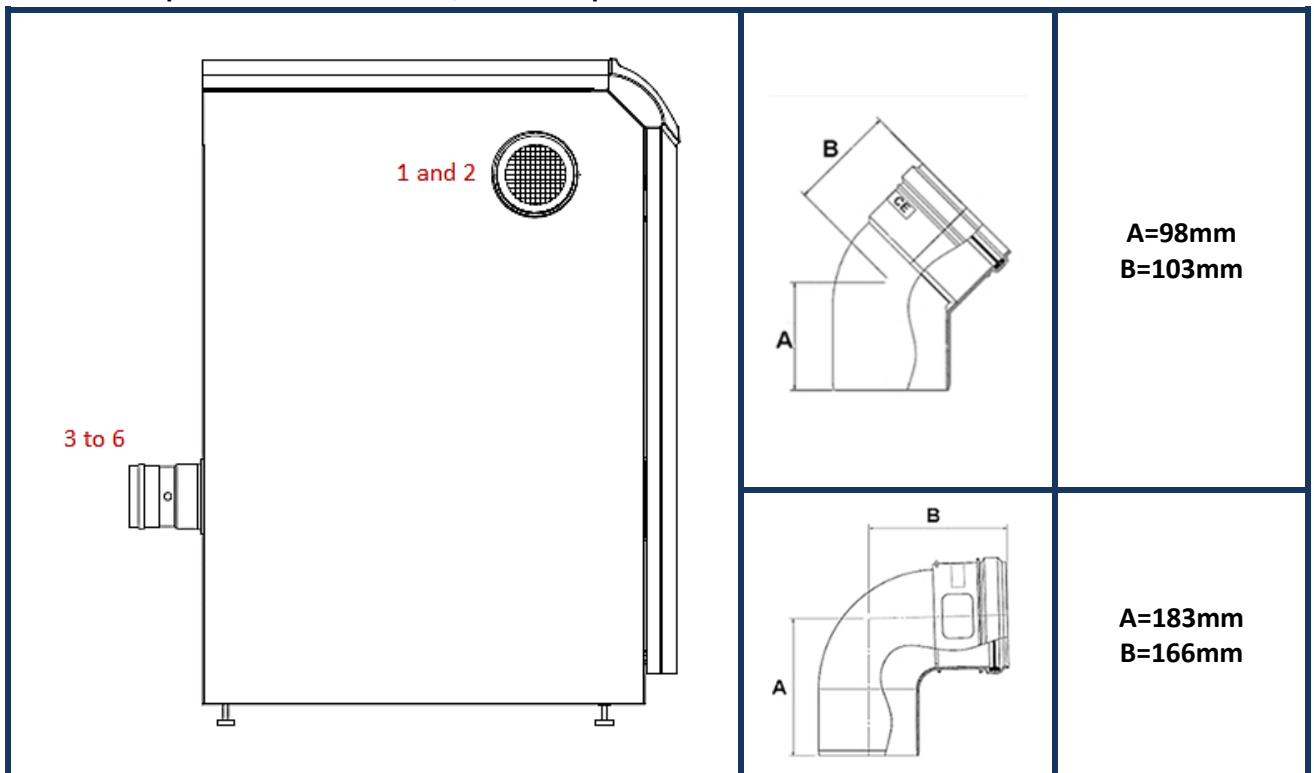
### MODELS HCB146CE,HCB176CE

#### COMPONENTS INCLUDED

Item No.	Description	Number	Quantity
M75257B	AIR INLET TRANSITION $\varnothing$ 100mm ALU	1	1
M86787B	APPLIANCE AIR INLET GUARD $\varnothing$ 100mm	2	1
M85181B	BEND 90° 100mm PP	3	1
M85126B	EXPANDER $\varnothing$ 100mm - $\varnothing$ 130mm PP	4	1
M70262B	EXPANDER $\varnothing$ 130mm - $\varnothing$ 150mm	5	1
M70326B	SAMPLING POINT $\varnothing$ 150mm PP	6	1

Maximum equivalent flue length =60 Metres

Reduction per 90 bend =1.5 Metre, reduction per 45 bend 0.9Metre



#### Additional Flue Ancillary Items

Item No.	Description	Dimensions
M70359B	VERTICAL TERMINAL - $\varnothing$ 150mm PP	1575mm total
LV310694B	EXTENSION $\varnothing$ 150mm(1000mm) PP CUT TO LENGTH	1000mm
LV310695B	EXTENSION $\varnothing$ 150mm(2000mm) PP CUT TO LENGTH	2000mm
LV310664B	BEND 45° $\varnothing$ 150mm PP	See drawing above
LV310665B	BEND 90° $\varnothing$ 150mm PP	See drawing above
LV310674B	CONDENSATE DRAIN AND TRAP $\varnothing$ 150mm	n/a
M87196B	WALL CLAMP $\varnothing$ 150mm	n/a

For further information, see Installation manual available at [www.lochinvar.ltd.uk](http://www.lochinvar.ltd.uk)

# Item No HBCF004

## FAN ASSISTED OPEN FLUE STARTER ASSEMBLY

Kit contains components to start the connection to the appliance only

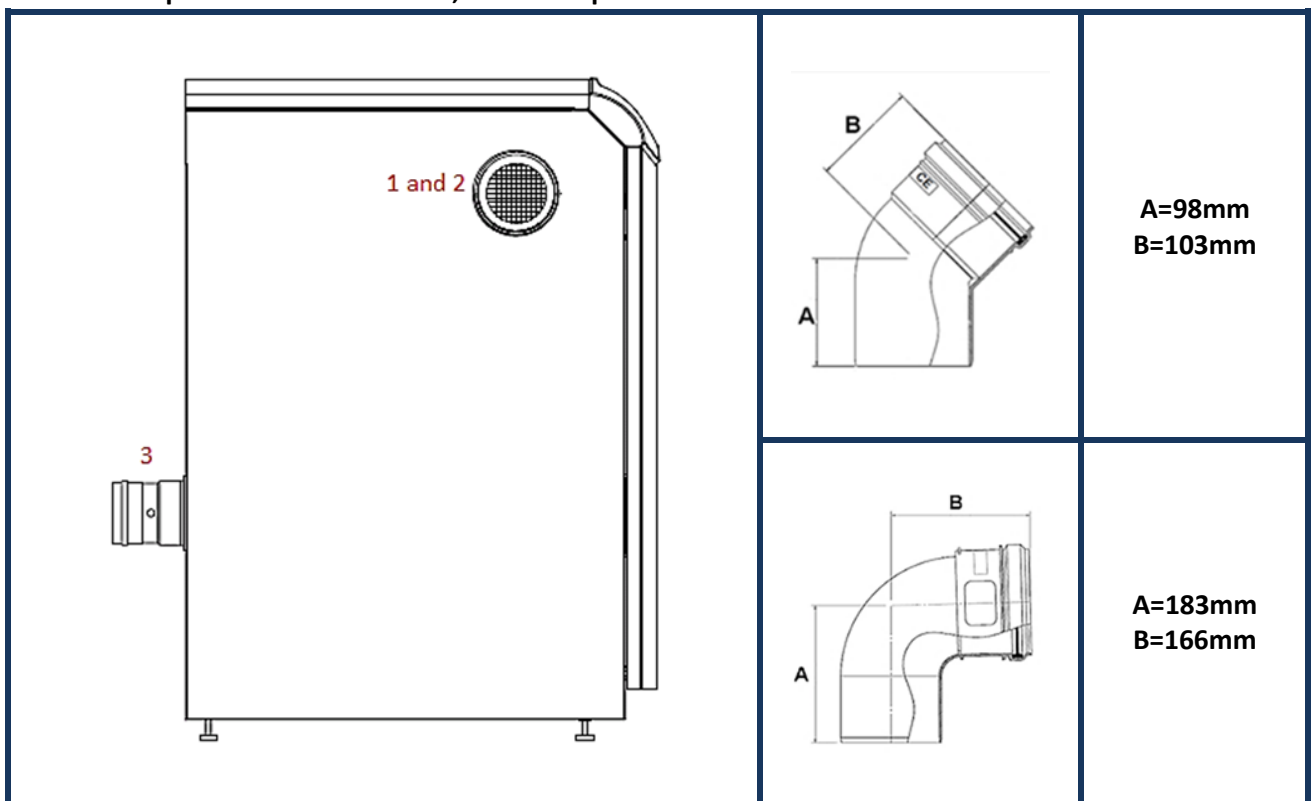
### MODELS HCB206CE, HCB236CE

#### COMPONENTS INCLUDED

Item No.	Description	Number	Quantity
M75257B	AIR INLET TRANSITION Ø100mm ALU	1	1
M86787B	APPLIANCE AIR INLET GUARD Ø100mm	2	1
M70326B	SAMPLING POINT Ø150mm PP	3	1

Maximum equivalent flue length =60 Metres

Reduction per 90 bend =1.5 Metre, reduction per 45 bend 0.9Metre



#### Additional Flue Ancillary Items

Item No.	Description	Dimensions
M70359B	VERTICAL TERMINAL - Ø150mm PP	1575mm total
LV310674B	CONDENSATE DRAIN AND TRAP Ø150mm	n/a
LV310695B	EXTENSION Ø150mm(2000mm) PP CUT TO LENGTH	2000mm
LV310694B	EXTENSION Ø150mm(1000mm) PP CUT TO LENGTH	1000mm
LV310664B	BEND 45° Ø150mm PP	See drawing above
LV310665B	BEND 90° Ø150mm PP	See drawing above
M87196B	WALL CLAMP Ø150mm	n/a

For further information, see Installation manual available at [www.lochinvar.ltd.uk](http://www.lochinvar.ltd.uk)

## Item No HBTF001

### TWIN-PIPE FLUE STARTER ASSEMBLY

Kit contains components to start the connection to the appliance only

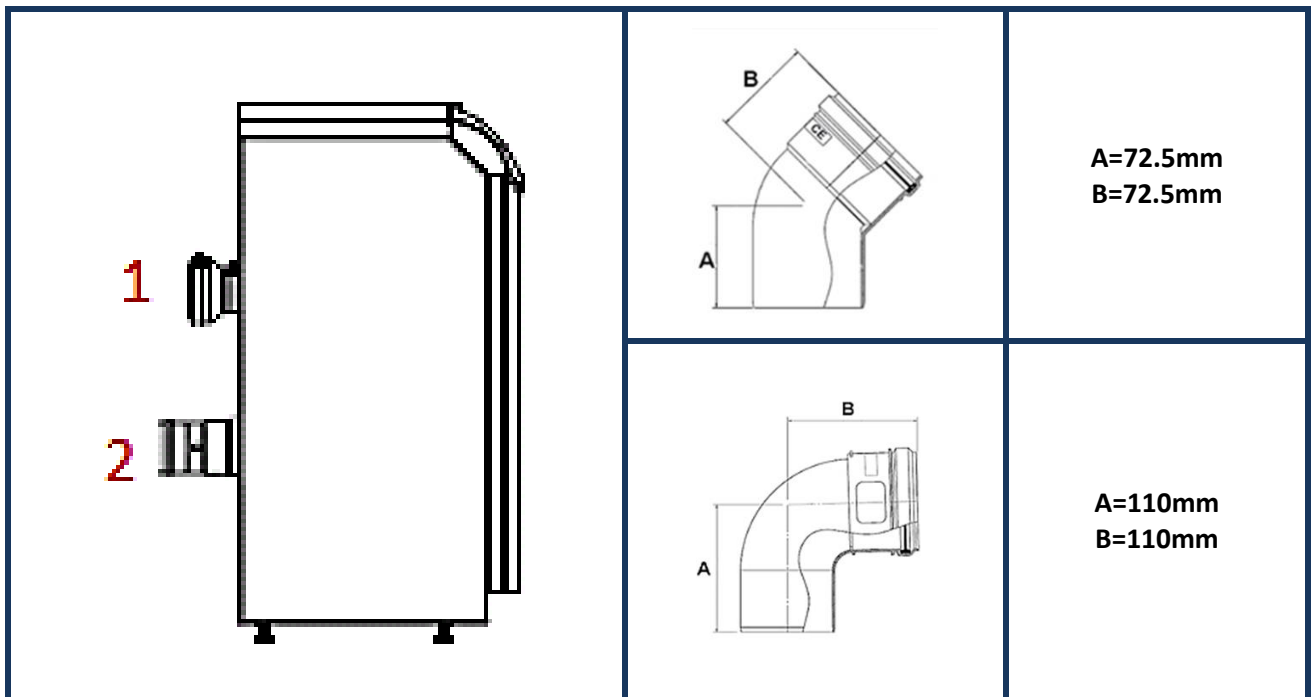
### MODELS HCB46CE,HCB61CE

#### COMPONENTS INCLUDED

Item No.	Description	Number	Quantity
M75256B	AIR INLET TRANSITION Ø80mm ALU	1	1
M85279B	SAMPLING POINT Ø80mm PP	2	1

Maximum equivalent flue length =60 Metres (TOTAL AIR INLET AND FLUE OUTLET)

Reduction per 90 bend =1 Metre, reduction per 45 bend 0.5Metre



#### Additional Flue Ancillary Items

Item No.	Description	Dimensions
<b>VERTICAL FLUE</b>		
M86864B	CONCENTRIC VERTICAL TERMINAL Ø80/125mm PP	1354mm total
<b>HORIZONTAL FLUE</b>		
M86934B	CONCENTRIC HORIZONTAL TERMINAL Ø80/125mm PP (NO WALL PLATES)	765mm total
M28925B	TERMINAL WALL PLATES (PAIR)	n/a
<b>OTHER FLUE COMPONENTS</b>		
LV310718B	EXTENSION - Ø80mm PP CUT TO LENGTH	250mm
M85271B	EXTENSION Ø80mm PP CUT TO LENGTH	500mm
M85272B	EXTENSION Ø80mm PP CUT TO LENGTH	1000mm
LV310721B	EXTENSION - Ø80mm PP CUT TO LENGTH	2000mm
LV310722B	EXTENSION - Ø80mm PP TELESCOPIC	240-360mm
M85292B	BEND 45° 80mm PP	See drawing above
M85291B	BEND 90° 80mm PP	See drawing above
M87191B	WALL CLAMP Ø80mm	n/a

For further information, see Installation manual available at [www.lochinvar.ltd.uk](http://www.lochinvar.ltd.uk)

## Item No HBTf002

### TWIN-PIPE FLUE STARTER ASSEMBLY

Kit contains components to start the connection to the appliance only

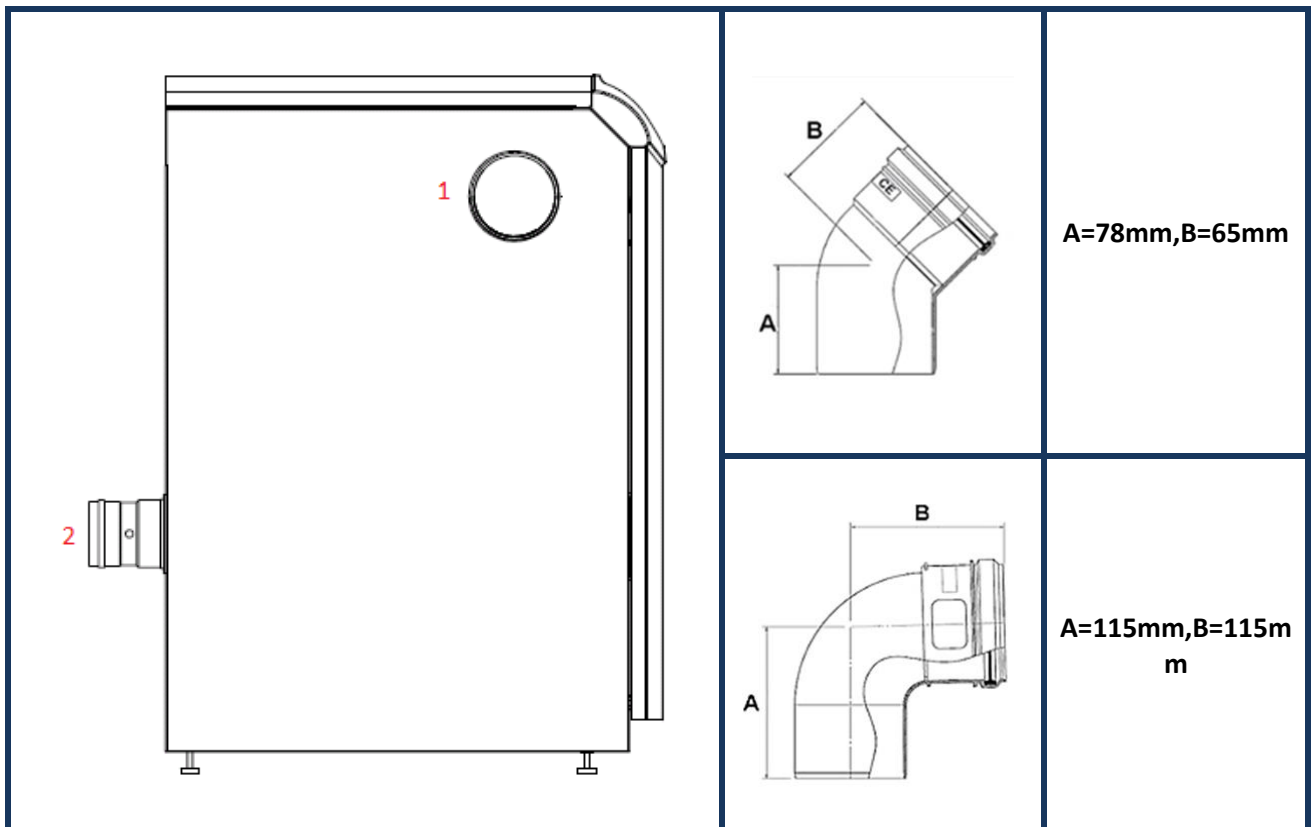
### MODELS HCB86CE,HCB116CE

#### COMPONENTS INCLUDED

Item No.	Description	Number	Quantity
M75257B	AIR INLET TRANSITION Ø100mm ALU	1	1
M85189B	SAMPLING POINT Ø100mm PP	2	1

Maximum equivalent flue length =60 Metres (TOTAL AIR INLET AND FLUE OUTLET)

Reduction per 90 bend =1.5 Metre, reduction per 45 bend 0.9Metre



#### Additional Flue Ancillary Items

Item No.	Description	Dimensions
<b>VERTICAL FLUE</b>		
LV310754B	CONCENTRIC VERTICAL TERMINAL Ø100/150mm PP	1735mm total
<b>HORIZONTAL FLUE</b>		
LV310758B	CONCENTRIC HORIZONTAL TERMINAL Ø100/150mm PP	765mm total
<b>OTHER FLUE COMPONENTS</b>		
LV305039	HORIZONTAL AIR INLET Ø100mm ALU	500mm
M85176B	EXTENSION Ø100mm PP CUT TO LENGTH	500mm
M85177B	EXTENSION Ø100mm PP CUT TO LENGTH	1000mm
M85181B	BEND 90° 100mm PP	See drawing above
M85182B	BEND 45° 100mm PP	See drawing above
M87193B	WALL BAND (100mm)	n/a

For further information, see Installation manual available at [www.lochinvar.ltd.uk](http://www.lochinvar.ltd.uk)



## TWIN-PIPE FLUE STARTER ASSEMBLY

### MODELS HCB146CE,HCB176CE

The concentric flue assembly for models HCB146CE and HCB176CE consists of a twin-pipe flue system with a concentric terminal- this system should be used if a twin-pipe assembly is required for these models.  
See 9 and 5

## TWIN-PIPE FLUE STARTER ASSEMBLY

### MODELS HCB206CE,HCB236CE

The concentric flue assembly for models HCB206CE and HCB236CE consists of a twin-pipe flue system with a concentric terminal- this system should be used if a twin-pipe assembly is required for these models.  
See 10 and 6







## IMPORTANT INFORMATION

These instructions must be read and understood before installing, commissioning, operating or maintaining the equipment.

