

EcoShield range Flue Guide



Models covered:

SHW35-245
SHW46-325
SHW61-325
SHW86-410
SHW116-410
SHW146-410

DOCUMENT CONTROL

| Article | Language | Version | Modified by |
|----------------------|----------|----------------|-------------|
| EcoShield flue guide | English | V1.3 June 2024 | S Addis |

Contents

| | |
|--|----|
| GENERAL..... | 3 |
| Drawing 1 Water heater terminal locations according to BS5440-1-2023 | 4 |
| Table 1 Water heater terminal locations according to BS5440-1-2023 | 4 |
| Table 3 Risk assessment according to BS5440-1-2023..... | 5 |
| Drawing 2 Water Heater terminal locations according to IGEM UP10..... | 6 |
| Table 3 Water Heater terminal locations according to IGEM UP10 | 6 |
| Table 4 risk assesment according to IGEM UP10..... | 7 |
| CONCENTRIC FLUE SYSTEMS | 8 |
| CONCENTRIC HORIZONTAL SYSTEMS..... | 8 |
| plume kit for use with horizontal concentric flue..... | 10 |
| CONCENTRIC FLUE SYSTEMS | 11 |
| CONCENTRIC VERTICAL SYSTEMS | 11 |
| tWIN-PIPE FLUE SYSTEMS | 13 |
| conventional flue systems..... | 15 |
| ORDER FORM AND NOTES | 17 |

GENERAL

Lochinvar Water Heaters are certified for use on the following flue categories:

| Installation type | Category | Description |
|-------------------|-------------|--|
| B23 | Open flue | An appliance intended to be connected to a flue that evacuates the products of combustion to the outside of the room containing the appliance. The combustion air is drawn directly from the room. |
| C13 | Closed Flue | An appliance connected to either a concentric or twin-pipe flue system with a Horizontal flue terminal. Both the air inlet and flue exhaust must be in the same pressure zone. |
| C33 | Closed Flue | An appliance connected to either a concentric or twin-pipe flue system with a Vertical flue terminal. Both the air inlet and flue exhaust must be in the same pressure zone. |
| C53 | Closed Flue | An appliance connected to a twin-pipe flue system with a Horizontal or Vertical flue terminal. Both air inlet and flue exhaust may be in different pressure zones. |
| C63 | Closed Flue | An appliance intended to be connected to a separately approved and marketed system for the supply of combustion air and discharge of combustion products (i.e. other than that supplied by the water heater manufacturer). |

All installations should comply with the requirements of:

1. For appliances up to 70kW net input- BS5440-1:2023- Flueing and ventilation for gas appliances of rated input not exceeding 70 kW net (1st, 2nd and 3rd family gases). Specification for installation of gas appliances to chimneys and for maintenance of chimneys.
 - a. Refer to drawing 1 and table 1 for details of terminal locations.
2. For appliances over 70kW net input- IGEM/UP/10 Edition 4 +A: 2016 - Installation of flued gas appliances in industrial and commercial premises, specific attention should be paid to the following sections.
 - a. Refer to drawing 1 and table 1 for details of terminal locations.
 - b. Horizontal terminations shall be located according to the minimum distances given in table 1, and subject to the risk assessment criteria shown in table 2.
 - c. Horizontal flue terminations (other than for fan dilution systems) must not be installed for any single appliance or group of appliances with a total nett input exceeding 333kW net heat input.
 - d. For any single appliance or group of appliances with a total net heat input exceeding 333 kW, the general requirements of IGEM/UP/10 Edition 4 +A: 2016 shall apply and approval must be sought from the Local Authority prior to commencement of the installation.
3. The Clean Air Act for installations exceeding 333kW nett input.

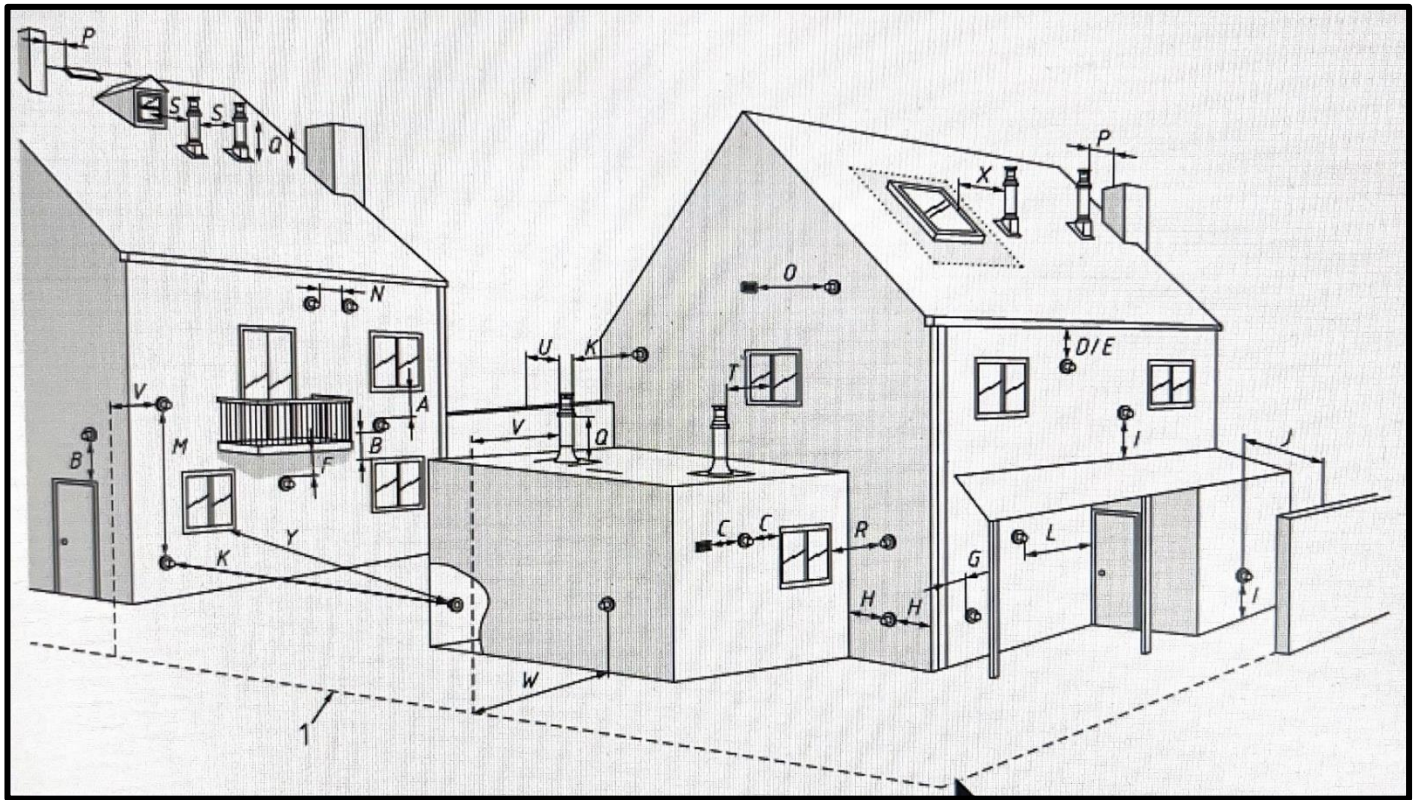


TABLE 1 WATER HEATER TERMINAL LOCATIONS ACCORDING TO BS5440-1-2023

| Location | Description | | SHW35-245CE | SHW46-325CE | SHW61-325CE |
|----------|---|-----------|-------------------------------------|-------------|-------------|
| | Water heater nett input | kW | 33.3 | 39.6 | 55.4 |
| A | Directly below an opening, air brick, opening windows etc. | mm | 300 | 300 | 300 |
| B | Above an opening, air brick, opening windows etc. | mm | 300 | 300 | 300 |
| C | Horizontally to an opening, air brick, opening windows etc. | mm | 300 | 300 | 300 |
| D | Below a gutter or sanitary pipework | mm | 75 | 75 | 75 |
| E | Below the eaves | mm | 300 | 300 | 300 |
| F | Below a balcony or car port roof | mm | 200 | 200 | 200 |
| G | From a vertical drain or soil pipe | mm | 150 | 150 | 150 |
| H | From an internal or external corner | mm | 300 | 300 | 300 |
| I | Above ground, roof or balcony level | mm | 300 | 300 | 300 |
| J | From a surface facing the terminal | mm | 600 | 600 | 600 |
| K | From a terminal facing the terminal | mm | 1200 | 1200 | 1200 |
| L | From an opening in the car port (e.g. door, window) into the dwelling | mm | 1200 | 1200 | 1200 |
| M | Vertically from a terminal on the same wall | mm | 1500 | 1500 | 1500 |
| N | Horizontally from a terminal on the same wall | mm | 300 | 300 | 300 |
| O | Horizontally from a mechanical air inlet on the same wall | mm | 1000 | 1000 | 1000 |
| P | From a vertical structure on the roof | mm | N/A | N/A | N/A |
| Q | Above intersection with the roof | mm | 300 | 300 | 300 |
| R | Diagonally across from an opening into a building on a different wall | mm | 600 | 600 | 600 |
| S | Vertical terminal from another vertical terminal | mm | 600 | 600 | 600 |
| T | Vertical terminal adjacent to an opening into a building | mm | 1500 | 1500 | 1500 |
| U | Vertical terminal from a wall | mm | 500 | 500 | 500 |
| V | Terminal alongside a boundary | mm | 300 | 300 | 300 |
| W | Terminal facing a boundary | mm | 600 | 600 | 600 |
| X | Adjacent to an opening into a building on a pitched roof | mm | Contact Lochinvar technical support | | |
| Y | Terminal facing an opening into a building | mm | 2000 | 2000 | 2000 |

The table above should be used in conjunction with the following notes:

- The above should be read in conjunction with the latest edition of BS5440-1
- For Water Heater installation above 333kW nett input the table above should not be used, these installations are covered by the clean air act and must comply with its requirements in full, contact your local environmental health team for further guidance

For further guidance please contact Lochinvar Technical support

TABLE 3 RISK ASSESSMENT ACCORDING TO BS5440-1-2023

| Type C appliances with net heat input not exceeding 70kW Low level flue discharge risk assessment (including net heat input for groups of appliances) | | | |
|--|--|-----------|------------|
| No. | Regarding the flue position | No | Yes |
| 1 | Will the flue terminal contravene the positions set out in table C.1 for room sealed chimney outlets? | No | Yes |
| 2 | Will the terminal be sited in a position that will likely allow products of combustion to build up (e.g. enclosed by adjacent structures)? | No | Yes |
| 3 | Is the termination in a light well? | No | Yes |
| 4 | Is the termination within a carport without two unobstructed sides? | No | Yes |
| 5 | Will the termination be in an area that might have combustible material in the vicinity? | No | Yes |
| 6 | Will the termination be in an area that might have hazardous material in the vicinity (e.g. petrochemicals)? | No | Yes |
| 7 | Will the termination be sited within a covered walkway? | No | Yes |
| 8 | Are there any restrictions stopping the fitting of a terminal guard if required? | No | Yes |
| 9 | Will the termination discharge over a boundary? | No | Yes |
| 10 | Is a plume management kit required to circumvent the termination distances as required in table C.1? | No | Yes |
| No. | Nuisance considerations | No | Yes |
| 11 | Is the termination sited over a pathway that is likely to cause nuisance (e.g. head height or plumbing towards users)? | No | Yes |
| 12 | Is the termination likely to cause a nuisance to neighbours? | No | Yes |
| No. | Chimney/flue routes | No | Yes |
| | Will the flue be installed in a void that will not be able to satisfy a full visual inspection? | No | Yes |
| | Are there any restrictions that will prevent the flue from being supported throughout its entire length? | No | Yes |
| | Do the flue materials contravene building regulations(e.g. high risk buildings)? | No | Yes |
| | Will the flue route pass through any fire protected areas without the ability to maintain its protection? | No | Yes |
| | Will the flue pass through another dwelling? | No | Yes |
| | Is the flue likely to be damaged due to its route/location(e.g. materials stored on it in a plantroom or storeroom)? | No | Yes |
| | Does the flue affect the integrity of the structure it is in (e.g. lintels, cavity trays, barriers or membranes)? | No | Yes |
| If all answers are Blue then the flue position should be suitable | | | |
| If any answer is Orange then the flue position is unsuitable, consider revising the position or type of flue outlet or contact the local Environmental Health officer for assistance and/or approval | | | |

DRAWING 2 WATER HEATER TERMINAL LOCATIONS ACCORDING TO IGEM UP10

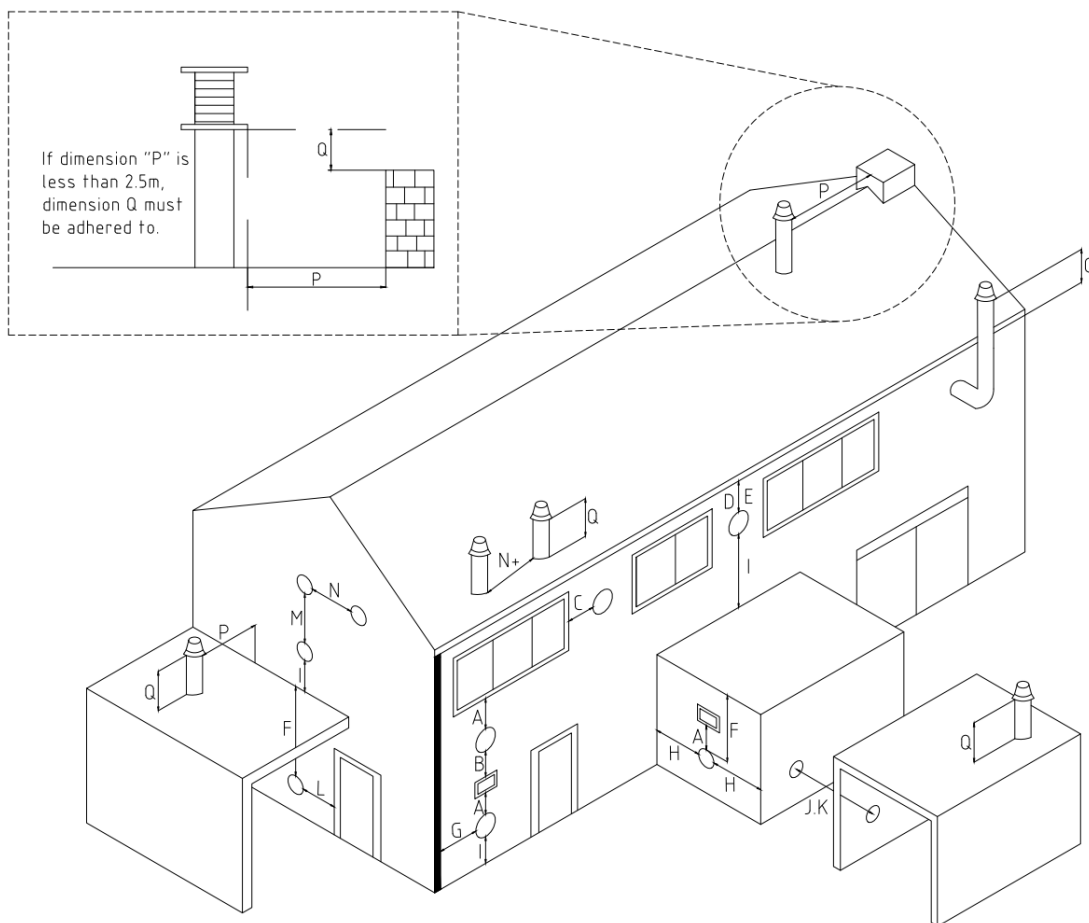


TABLE 3 WATER HEATER TERMINAL LOCATIONS ACCORDING TO IGEM UP10

| Location | Description | SHW86-410CE | SHW116-410CE | SHW146-410CE |
|----------|---|-------------|--------------|--------------|
| A | Directly below an opening, air brick, opening windows etc. | 2000 | 2000 | 2000 |
| B | Above an opening, air brick, opening windows etc. | 1000 | 1000 | 1000 |
| C | Horizontally to an opening, air brick, opening windows etc. | 1000 | 1000 | 1000 |
| D | Below a gutter or sanitary pipework | 75 | 75 | 75 |
| E | Below the eaves | 200 | 200 | 200 |
| F | Below a balcony or car port roof | 200 | 200 | 200 |
| G | From a vertical drain or soil pipe | 150 | 150 | 150 |
| H | From an internal or external corner | 300 | 300 | 300 |
| I | Above ground, roof or balcony level | 300 | 300 | 300 |
| J | From a surface facing the terminal | 1000 | 1000 | 1000 |
| K | From a terminal facing the terminal | 2000 | 2000 | 2000 |
| L | From an opening in the car port (e.g. door, window) into the dwelling | 1200 | 1200 | 1200 |
| M | Vertically from a terminal on the same wall | 1500 | 1500 | 1500 |
| N | Horizontally from a terminal on the same wall | 600 | 600 | 600 |
| N+ | Vertically from a terminal on the same roof | 600 | 600 | 600 |
| P | From a vertical structure on the roof | 300 | 300 | 300 |
| Q | Above intersection with the roof | 300 | 300 | 300 |

The table above should be used in conjunction with the following notes:

- The above should be read in conjunction with the latest edition of IGEM UP10
- For Water Heater installation above 333kW nett input the table above should not be used, these installations are covered by the clean air act and must comply with its requirements in full, contact your local environmental health team for further guidance

For further guidance please contact Lochinvar Technical support

TABLE 4 RISK ASSESSMENT ACCORDING TO IGEM UP10

The table below is an excerpt from IGEMUP10 and should be used in conjunction with that document

Further to the requirements in IGEM/UP/10 Edition 4 +A: 2016 Section 8 under clause 8.7.3.3 and Figure 7 the following risk assessment gives guidance for the positioning of horizontal flues. This form should be completed before work commences and undertaken by a person who is competent to undertake the risk assessment.

| Type C appliances with net heat input exceeding 70 kW and not exceeding 333 kW low level flue discharge risk assessment (including net heat input for groups of appliances) | | | |
|--|---|-----------|------------|
| No. | Regarding the flue position | No | Yes |
| 1 | Is the proposed flue termination within the distance in Figure K of a road, path, track, thoroughfare, walkway, property boundary or area, which is used for general public access other than for maintenance purposes? | No | Yes |
| 2 | Is the proposed flue termination within the distance in Figure K to a playground, school, yard, seating area, or area where there may be a public gathering | No | Yes |
| 3 | If the proposed flue termination enclosed on more than two sides then does it comply with the requirements of Figure 11B? | No | Yes |
| 4 | Is the proposed flue termination within the distance in Figure K of a surface or building element that may be affected by corrosion or deterioration from plume condensate? | No | Yes |
| 5 | Is the proposed flue position in an area where vehicles could be parked within distances from Figure 12 Line G to the flue? | No | Yes |
| 6 | Are there shrubs or trees within minimum distances shown on Figure K of the proposed terminal position? | No | Yes |
| 7 | Is the proposed flue termination within a light well? | No | Yes |
| 8 | Are the products of combustion from the proposed flue position likely to build up under unfavourable atmospheric conditions, due to poor cross flow of air caused by enclosures or adjacent structures and/or likely to cause nuisance? | No | Yes |
| 9 | Is the flue termination position likely to cause a nuisance to adjoining properties? | No | Yes |
| Building Regulations part J | | | |
| 10 | Is the proposed flue termination less than 300 mm from the boundary of the property, as measured from the side of the terminal to the boundary? | No | Yes |
| Regarding the Clean Air Act | | | |
| 11 | Is the total output of the individual, or group of flue terminals (if within 5U (see A3.7)), greater than 333 kW net heat input? | No | Yes |
| General | | | |
| 12 | Are there any other considerations that are required for this risk assessment, see separate sheet. | No | Yes |
| 13 | Comments: | | |
| | | | |
| If all answers are Blue then the flue position should be suitable | | | |
| If any answer is Orange then the flue position is unsuitable, consider revising the position or type of flue outlet or contact the local Environmental Health officer for assistance and/or approval | | | |

CONCENTRIC FLUE SYSTEMS

CONCENTRIC HORIZONTAL SYSTEMS

SHHF003 CONCENTRIC HORIZONTAL FLUE ASSEMBLY MODELS - SHW35-245,SHW46-325,SHW61-325

COMPONENTS INCLUDED

| Item No. | Description | Included |
|----------|---|----------|
| M75256 | AIR INLET TRANSITION Ø80mm S/S | 1 |
| M121602 | TRANSITION PIECE - CUTABLE | 1 |
| M84471 | SAMPLING POINT Ø80/125mm PP | 1 |
| LV310735 | CONCENTRIC BEND 90° Ø80/125mm PP | 1 |
| LV310757 | CONCENTRIC HORIZONTAL TERMINAL - Ø80/125mm PP | 1 |

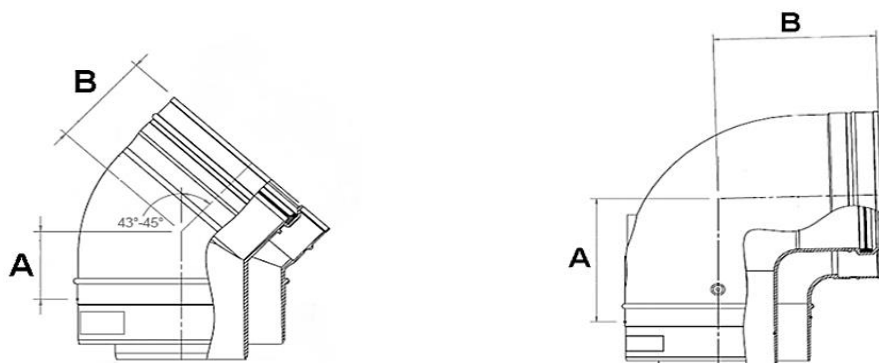
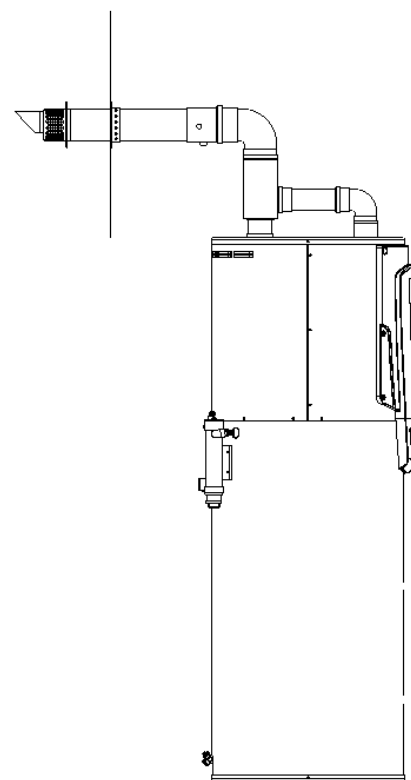
Maximum Flue Lengths

Maximum equivalent flue length = 30 Metres

Reduction for each 90 bend = 1 Metre, Reduction for each 45 bend = 0.5 Metre

Additional Flue Ancillary Items

| Item No. | Description |
|----------|--|
| LV310740 | CONCENTRIC EXTENSION - Ø80/125mm PP FIXED 250mm |
| LV310745 | CONCENTRIC EXTENSION - Ø80/125mm PP 500mm |
| LV310742 | CONCENTRIC EXTENSION - Ø80/125mm PP FIXED 1000mm |
| LV310743 | CONCENTRIC EXTENSION - Ø80/125mm PP FIXED 2000mm |
| LV310744 | CONCENTRIC EXTENSION - Ø80/125mm PP TELESCOPIC |
| LV310734 | CONCENTRIC BEND 45° Ø80/125mm PP (A=45mm B=62.5mm) |
| LV310735 | CONCENTRIC BEND 90° Ø80/125mm PP (A=95mm B=110mm) |
| M84481 | WALL CLAMP Ø125mm |



SHHF004 CONCENTRIC HORIZONTAL FLUE ASSEMBLY
 MODELS - SHW86-410, SHW116-410, SHW146-410

COMPONENTS INCLUDED

| Item No. | Description | Included |
|----------|--|----------|
| M75257 | AIR INLET TRANSITION Ø100mm S/S | 1 |
| M121605 | TRANSITION PIECE | 1 |
| M84421 | SAMPLING POINT Ø100/150mm PP | 1 |
| M84412 | CONCENTRIC BEND 90° Ø100/150mm PP | 1 |
| LV310758 | CONCENTRIC HORIZONTAL TERMINAL Ø100/150mm PP | 1 |

Maximum Flue Lengths

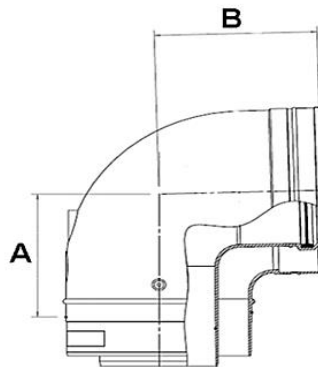
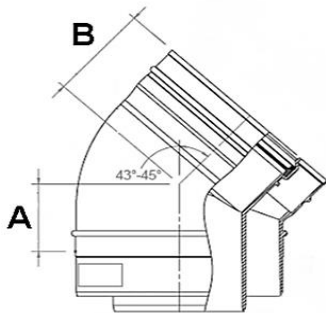
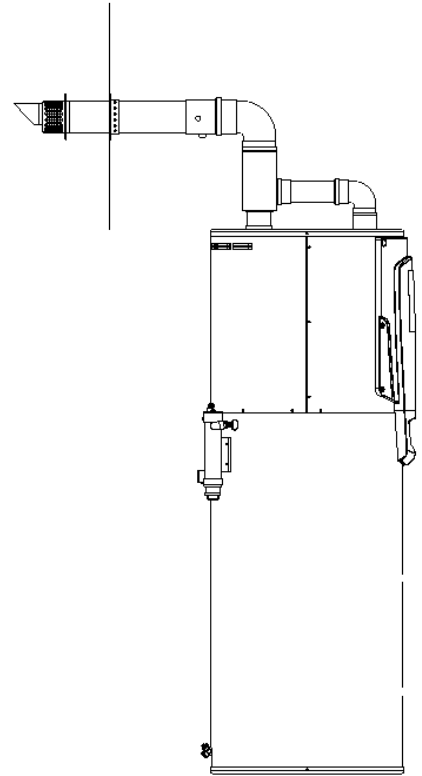
Maximum equivalent flue length = 30 Metres for models SHW86-410, SHW116-410

Maximum equivalent flue length = 13 Metres for models SHW146-410

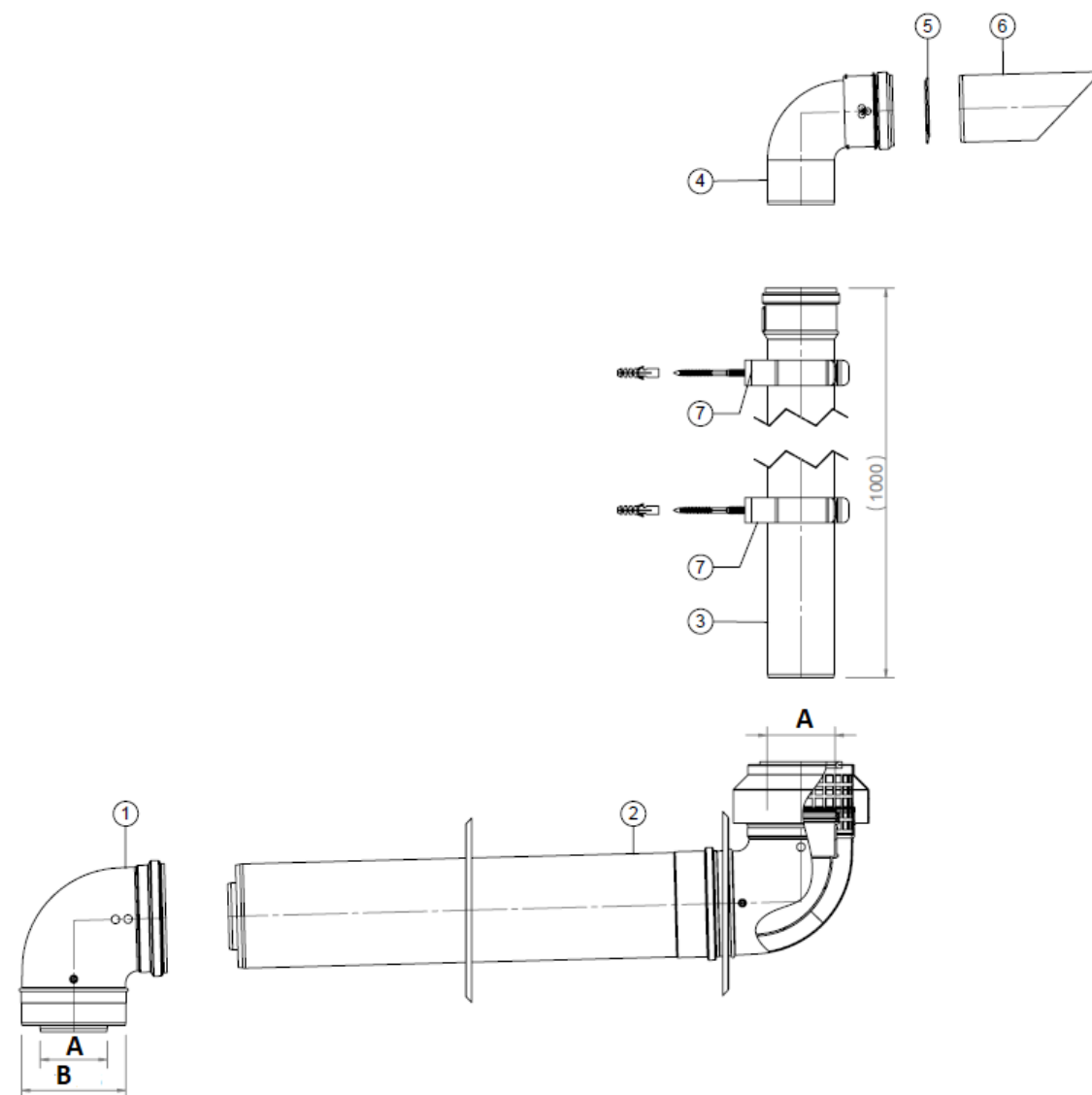
Reduction for each 90 bend = 1 Metre, Reduction for each 45 bend = 0.5 Metre

Additional Flue Ancillary Items

| Item No. | Description |
|----------|--|
| M84405 | CONCENTRIC EXTENSION Ø100/150mm PP CUT TO LENGTH 500mm |
| M84402 | CONCENTRIC EXTENSION Ø100/150mm PP FIXED 1000mm |
| M84412 | CONCENTRIC BEND 90° Ø100/150mm PP (A=223mm B=208mm) |
| M84413 | CONCENTRIC BEND 45° Ø100/150mm PP (A=128mm B=128mm) |
| M84421 | SAMPLING POINT Ø100/150mm PP |
| M87196 | WALL CLAMP Ø150mm |



PLUME KIT FOR USE WITH HORIZONTAL CONCENTRIC FLUE



LG800008B PLUME MANAGEMENT KIT Ø80/125mm

| No | Description | All models |
|----|--|------------|
| 1 | CONCENTRIC BEND 90°-PP | Ø80/125mm |
| 2 | CONCENTRIC HORIZONTAL PLUME KIT TERMINAL -PP | Ø80/125mm |
| 3 | EXTENSION -PP CUTABLE (1000mm) | Ø80mm |
| 4 | BEND 90°-PP | Ø80mm |
| 5 | PLUME KIT BIRD GUARD | Ø80mm |
| 6 | PLUME KIT FLUE EXIT-PP | Ø80mm |
| 7 | WALL CLAMP | Ø80mm |
| A | INTERNAL DIAMETER | Ø80mm |
| B | EXTERNAL DIAMETER | Ø125mm |



The plume kit must not be used to correct an illegal terminal location



The plume kit can only be used as supplied, further extensions are not permitted

CONCENTRIC FLUE SYSTEMS

CONCENTRIC VERTICAL SYSTEMS

SHVF003 CONCENTRIC VERTICAL FLUE ASSEMBLY MODELS - SHW35-245, SHW46-325, SHW61-325

COMPONENTS INCLUDED

| Item No. | Description | Included |
|----------|--|----------|
| M75256 | AIR INLET TRANSITION \varnothing 80mm S/S | 1 |
| M121602 | TRANSITION PIECE | 1 |
| M84471 | SAMPLING POINT \varnothing 80/125mm PP | 1 |
| LV310753 | CONCENTRIC VERTICAL TERMINAL - \varnothing 80/125mm PP | 1 |

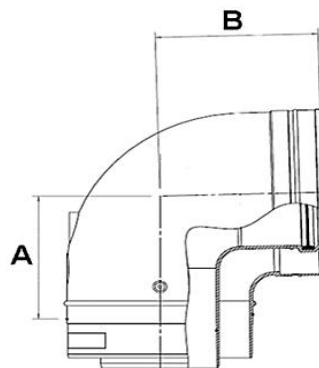
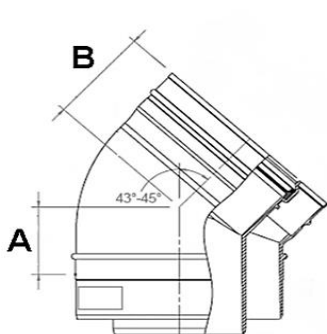
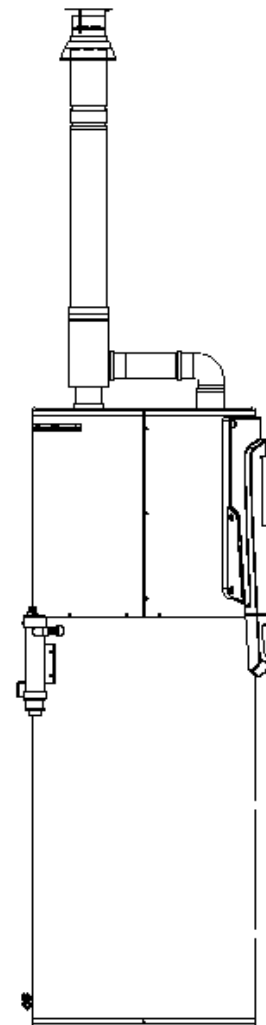
Maximum Flue Lengths

Maximum equivalent flue length = 30 Metres

Reduction for each 90 bend = 1 Metre, Reduction for each 45 bend = 0.5 Metre

Additional Flue Ancillary Items

| Item No. | Description |
|----------|---|
| LV310740 | CONCENTRIC EXTENSION - \varnothing 80/125mm PP FIXED 250mm |
| LV310745 | CONCENTRIC EXTENSION - \varnothing 80/125mm PP 500mm |
| LV310742 | CONCENTRIC EXTENSION - \varnothing 80/125mm PP FIXED 1000mm |
| LV310743 | CONCENTRIC EXTENSION - \varnothing 80/125mm PP FIXED 2000mm |
| LV310744 | CONCENTRIC EXTENSION - \varnothing 80/125mm PP TELESCOPIC |
| LV310734 | CONCENTRIC BEND 45° \varnothing 80/125mm PP (A=45mm B=62.5mm) |
| LV310735 | CONCENTRIC BEND 90° \varnothing 80/125mm PP (A=95 B=110mm) |
| M84481 | WALL CLAMP \varnothing 125mm |



SHVF004 CONCENTRIC VERTICAL FLUE ASSEMBLY
MODELS - SHW86-410,SHW116-410,SHW146-410

COMPONENTS INCLUDED

| Item No. | Description | Included |
|----------|--|----------|
| M75257 | AIR INLET TRANSITION Ø100mm S/S | 1 |
| M121605 | TRANSITION PIECE - CUTTABLE | 1 |
| M84421 | SAMPLING POINT Ø100/150mm PP | 1 |
| LV310754 | CONCENTRIC VERTICAL TERMINAL Ø100/150mm PP | 1 |

Maximum Flue Lengths

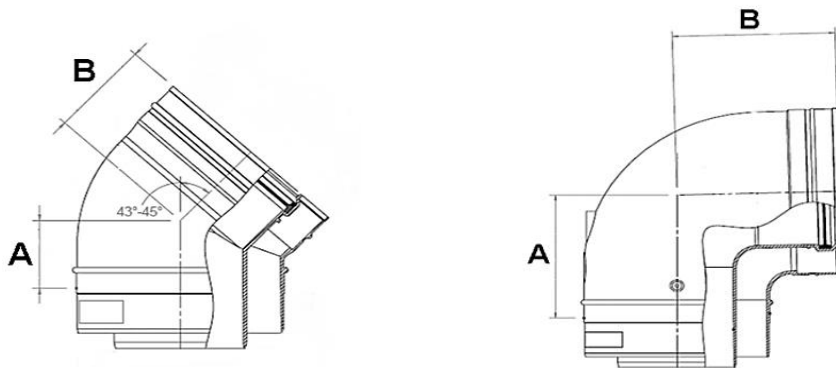
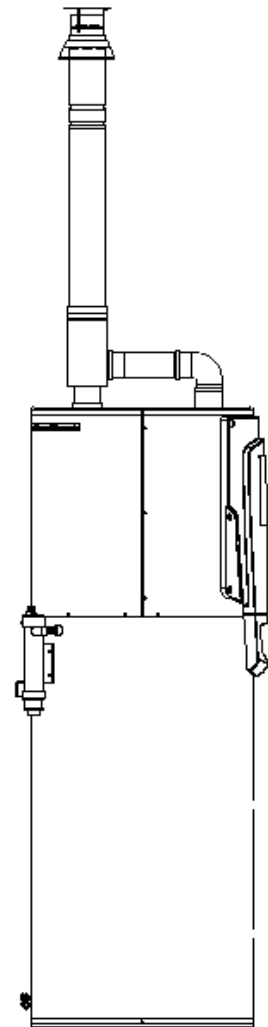
Maximum equivalent flue length = 30 Metres for models SHW86-410, SHW116-410

Maximum equivalent flue length = 13 Metres for models SHW146-410

Reduction for each 90 bend = 1 Metre, Reduction for each 45 bend = 0.5 Metre

Additional Flue Ancillary Items

| Item No. | Description |
|----------|---|
| M84405 | CONCENTRIC EXTENSION Ø100/150mm Cuttable 500mm |
| M84402 | CONCENTRIC EXTENSION Ø100/150mm PP FIXED 1000mm |
| M84412 | CONCENTRIC BEND 90° Ø100/150mm PP (A=223mm B=208mm) |
| M84413 | CONCENTRIC BEND 45° Ø100/150mm PP (A=128mm B=128mm) |
| LV306017 | SLOPING ROOF FLASHING Ø100/150mm LEAD |
| LV302509 | FLAT ROOF FLASHING ALU |
| M87196 | WALL CLAMP |



TWIN-PIPE FLUE SYSTEMS

SHTF003 TWIN PIPE FLUE ASSEMBLY MODELS - SHW35-245,SHW46-325,SHW61-325

COMPONENTS REQUIRED TO START INSTALLATION

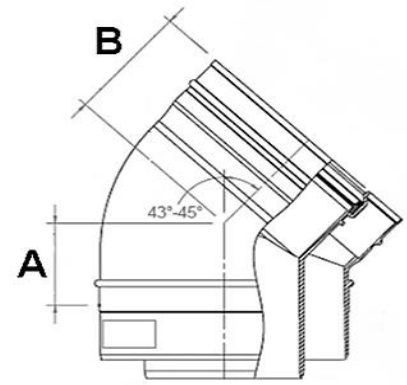
| Item No. | Description | Included |
|----------|--------------------------------|----------|
| M75256 | AIR INLET TRANSITION Ø80mm S/S | 1 |
| M85279 | SAMPLING POINT Ø80mm | 1 |

VERTICAL FLUE

| | | |
|----------|---|--|
| LV310753 | CONCENTRIC VERTICAL TERMINAL - Ø80/125mm PP | |
| LV305016 | HORIZONTAL AIR INLET Ø80mm | |

HORIZONTAL FLUE

| | | |
|----------|---|--|
| LV310757 | CONCENTRIC HORIZONTAL TERMINAL - Ø80/125mm PP | |
| LV305016 | HORIZONTAL AIR INLET Ø80mm | |
| M28925 | TERMINAL WALL PLATES | |



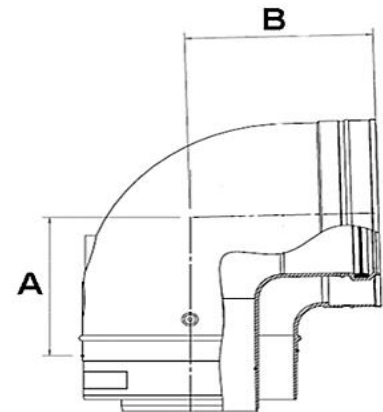
Maximum Flue Lengths

Maximum equivalent flue length = 60 Metres

Reduction for each 90 bend = 1 Metre, Reduction for each 45 bend = 0.5 Metre

Additional Flue Ancillary Items

| Item No. | Description |
|----------|---------------------------------------|
| LV310718 | EXTENSION - Ø80mm PP 250mm |
| M85271 | EXTENSION Ø80mm PP 500mm |
| M85272 | EXTENSION Ø80mm PP 1000mm |
| LV310721 | EXTENSION - Ø80mm (2000mm) PP 2000mm |
| LV310722 | EXTENSION - Ø80mm PP TELESCOPIC 500mm |
| M85292 | BEND 45° Ø80mm PP (A=72.5mm B=72.5mm) |
| M85291 | BEND 90° Ø80mm PP (A=80mm B=100mm) |
| M87191 | WALL CLAMP Ø80mm |
| LV302520 | FLAT ROOF FLASHING Ø140mm ALU |



SHTF004 TWIN PIPE FLUE ASSEMBLY
 MODELS - SHW86-410,SHW116-410,SHW146-410

COMPONENTS REQUIRED TO START INSTALLATION

| Item No. | Description | Included |
|----------|---------------------------------|----------|
| M75257 | AIR INLET TRANSITION Ø100mm S/S | 1 |
| M85189 | SAMPLING POINT - 100mm | 1 |

VERTICAL FLUE

| | | |
|----------|--|--|
| LV310754 | CONCENTRIC VERTICAL TERMINAL Ø100/150mm PP | |
| LV305039 | HORIZONTAL AIR INLET Ø100mm ALU | |

HORIZONTAL FLUE

| | | |
|----------|--|--|
| LV310758 | CONCENTRIC HORIZONTAL TERMINAL Ø100/150mm PP | |
| LV305039 | HORIZONTAL AIR INLET Ø100mm ALU | |
| M28925 | TERMINAL WALL PLATES | |

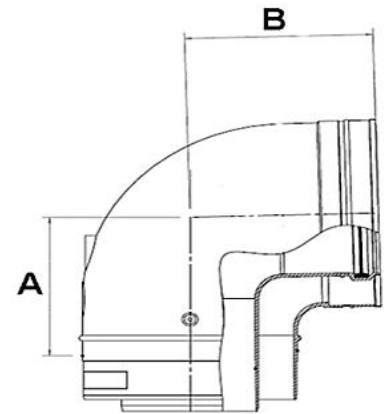
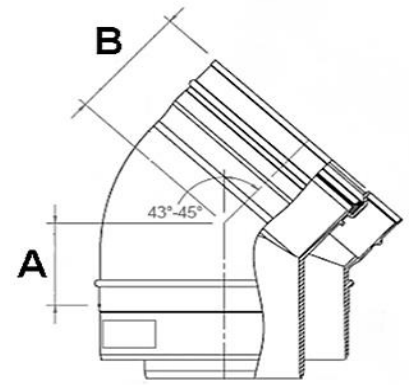
Maximum Flue Lengths

Maximum equivalent flue length = 60 Metres

Reduction for each 90 bend = 1 Metre, Reduction for each 45 bend = 0.5 Metre

Additional Flue Ancillary Items

| Item No. | Description |
|----------|--------------------------------------|
| M85176 | EXTENSION Ø100mm PP 500mm |
| M85177 | EXTENSION Ø100mm PP 1000mm |
| M85181 | BEND 90° Ø100mm PP (A=115mm B=115mm) |
| M85182 | BEND 45° Ø100mm PP (A=78mm B=65mm) |
| M87193 | WALL CLAMP Ø100mm |



CONVENTIONAL FLUE SYSTEMS

SHCF003 CONVENTIONAL FLUE ASSEMBLY MODELS - SHW35-245, SHW46-325, SHW61-325

COMPONENTS REQUIRED TO START INSTALLATION

| Item No. | Description | Included |
|----------|-------------------------------------|----------|
| M75256 | AIR INLET TRANSITION Ø80mm S/S | 1 |
| M85279 | SAMPLING POINT Ø80mm | 1 |
| M73039 | APPLIANCE AIR INLET GUARD Ø80mm ALU | 1 |

VERTICAL FLUE

| | | |
|----------|---|--|
| LV310753 | CONCENTRIC VERTICAL TERMINAL - Ø80/125mm PP | |
|----------|---|--|

HORIZONTAL FLUE

| | | |
|----------|---|--|
| LV310757 | CONCENTRIC HORIZONTAL TERMINAL - Ø80/125mm PP | |
| M28925 | TERMINAL WALL PLATES | |

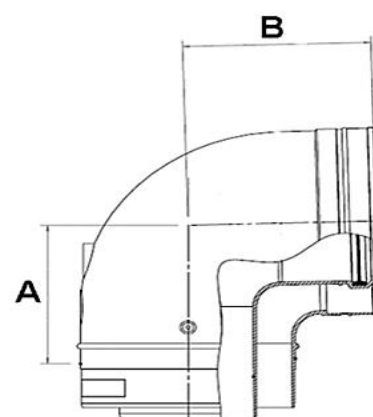
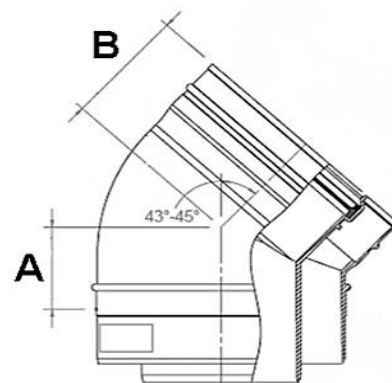
Maximum Flue Lengths

Maximum equivalent flue length = 60 Metres

Reduction for each 90 bend = 1 Metre, Reduction for each 45 bend = 0.5 Metre

Additional Flue Ancillary Items

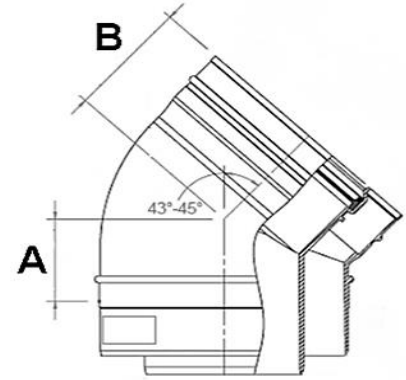
| Item No. | Description |
|----------|---------------------------------------|
| LV310718 | EXTENSION - Ø80mm PP 250mm |
| M85271 | EXTENSION Ø80mm PP 500mm |
| M85272 | EXTENSION Ø80mm PP 1000mm |
| LV310721 | EXTENSION - Ø80mm PP 2000mm |
| LV310722 | EXTENSION - Ø80mm PP TELESCOPIC 500mm |
| M85292 | BEND 45° Ø80mm PP (A=72.5mm B=72.5mm) |
| M85291 | BEND 90° Ø80mm PP (A=80mm B=100mm) |
| M87191 | WALL CLAMP Ø80mm |
| LV302520 | FLAT ROOF FLASHING Ø140mm ALU |



SHCF004 CONVENTIONAL FLUE ASSEMBLY
MODELS - SHW86-410,SHW116-410,SHW146-410

COMPONENTS REQUIRED TO START INSTALLATION

| Item No. | Description | Included |
|------------------------|--|----------|
| M75257 | AIR INLET TRANSITION Ø100mm S/S | 1 |
| M85189 | SAMPLING POINT - 100mm | 1 |
| M86787 | APPLIANCE AIR INLET GUARD Ø100mm | 1 |
| VERTICAL FLUE | | |
| LV31075 4 | CONCENTRIC VERTICAL TERMINAL Ø100/150mm PP | |
| HORIZONTAL FLUE | | |
| LV31075 8 | CONCENTRIC HORIZONTAL TERMINAL Ø100/150mm PP | |



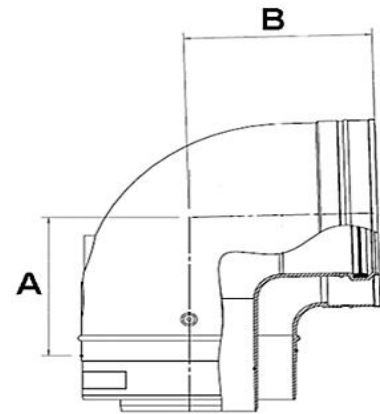
Maximum Flue Lengths

Maximum equivalent flue length = 60 Metres

Reduction for each 90 bend = 1 Metre, Reduction for each 45 bend = 0.5 Metre

Additional Flue Ancillary Items

| Item No. | Description |
|----------|--------------------------------------|
| M85176 | EXTENSION Ø100mm PP 500mm |
| M85177 | EXTENSION Ø100mm PP 1000mm |
| M85181 | BEND 90° Ø100mm PP (A=115mm B=115mm) |
| M85182 | BEND 45° Ø100mm PP (A=78mm B=65mm) |
| M87193 | WALL CLAMP Ø100mm |



Blank



8 Lombard Way, The MXL Centre, Banbury, Oxon, OX16 4TJ
Tel: +44(0) 1295 269 981, Fax: +44(0) 1295 271 640, Email: info@lochinvar.ltd.uk
www.lochinvar.ltd.uk